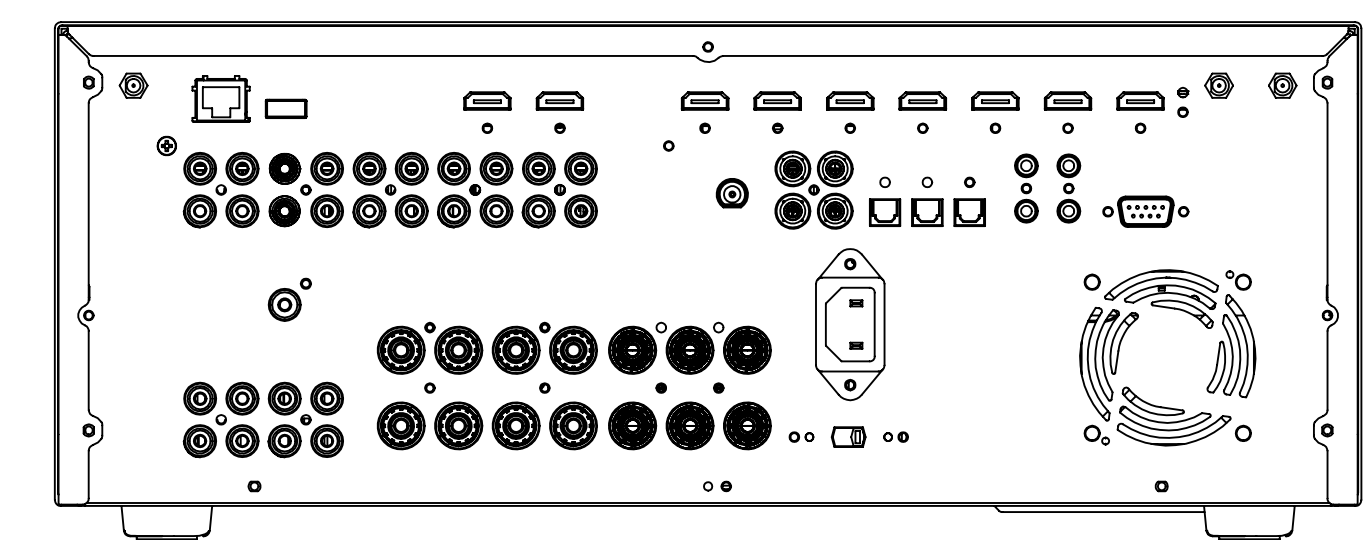
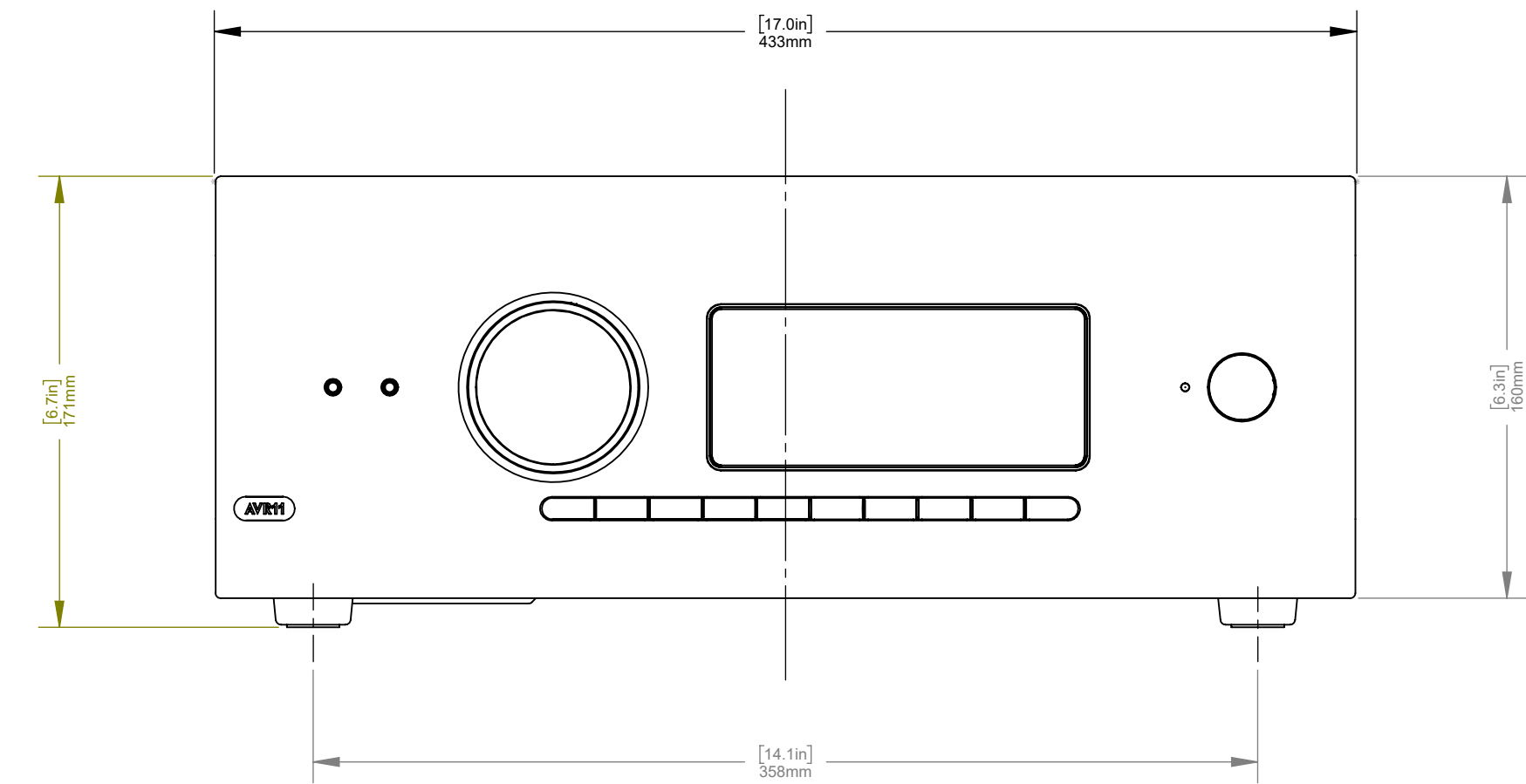
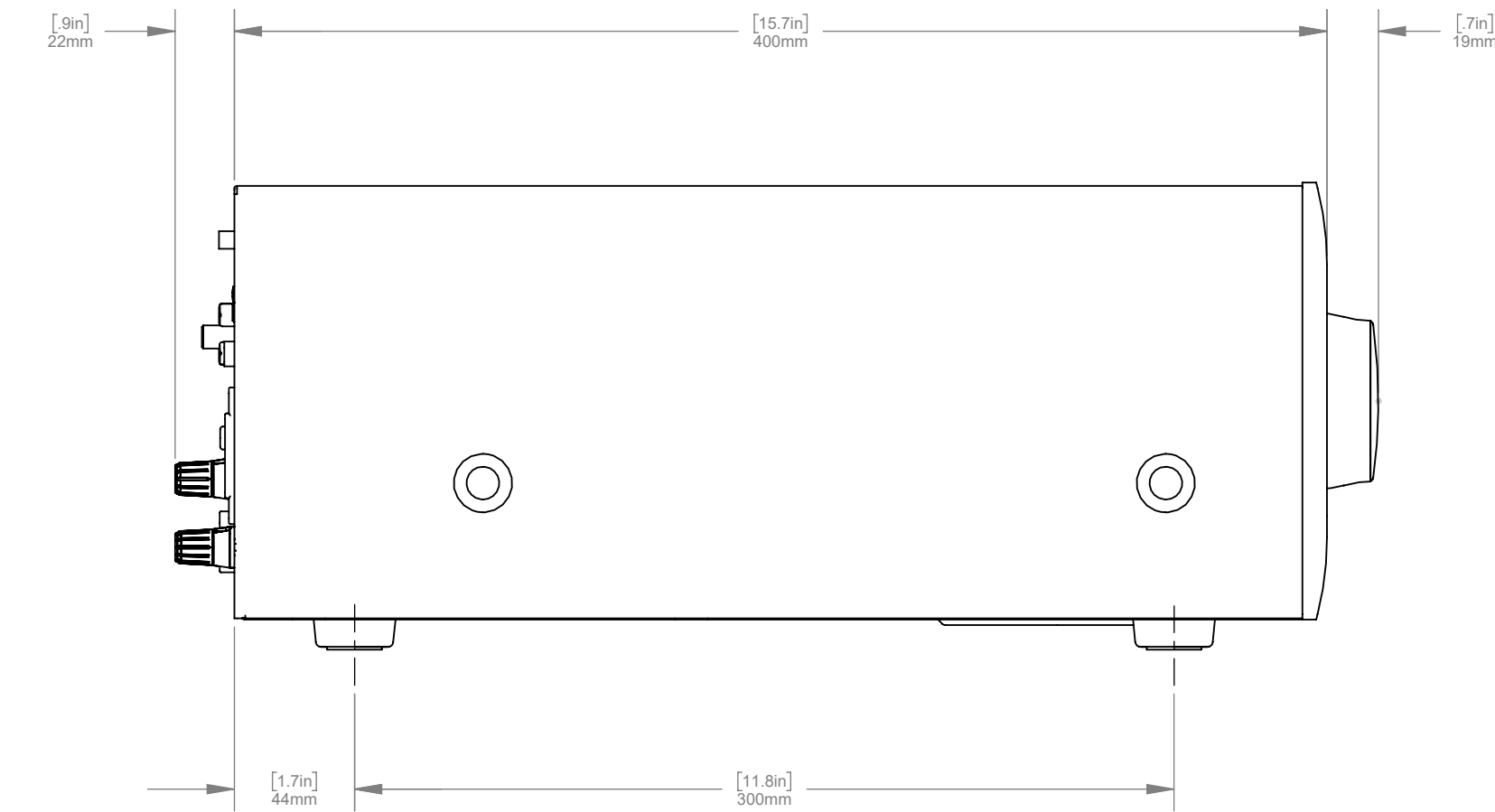
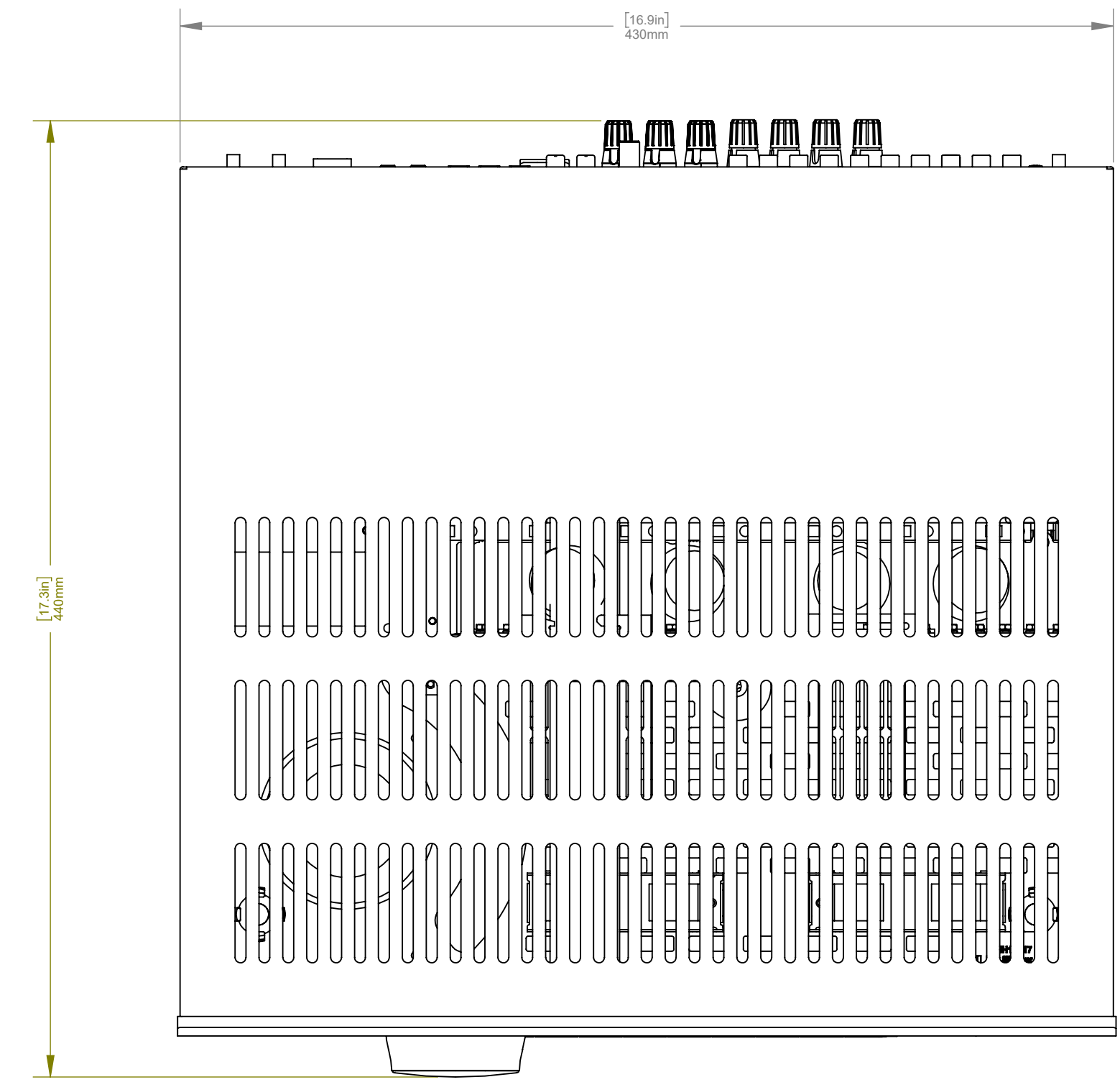
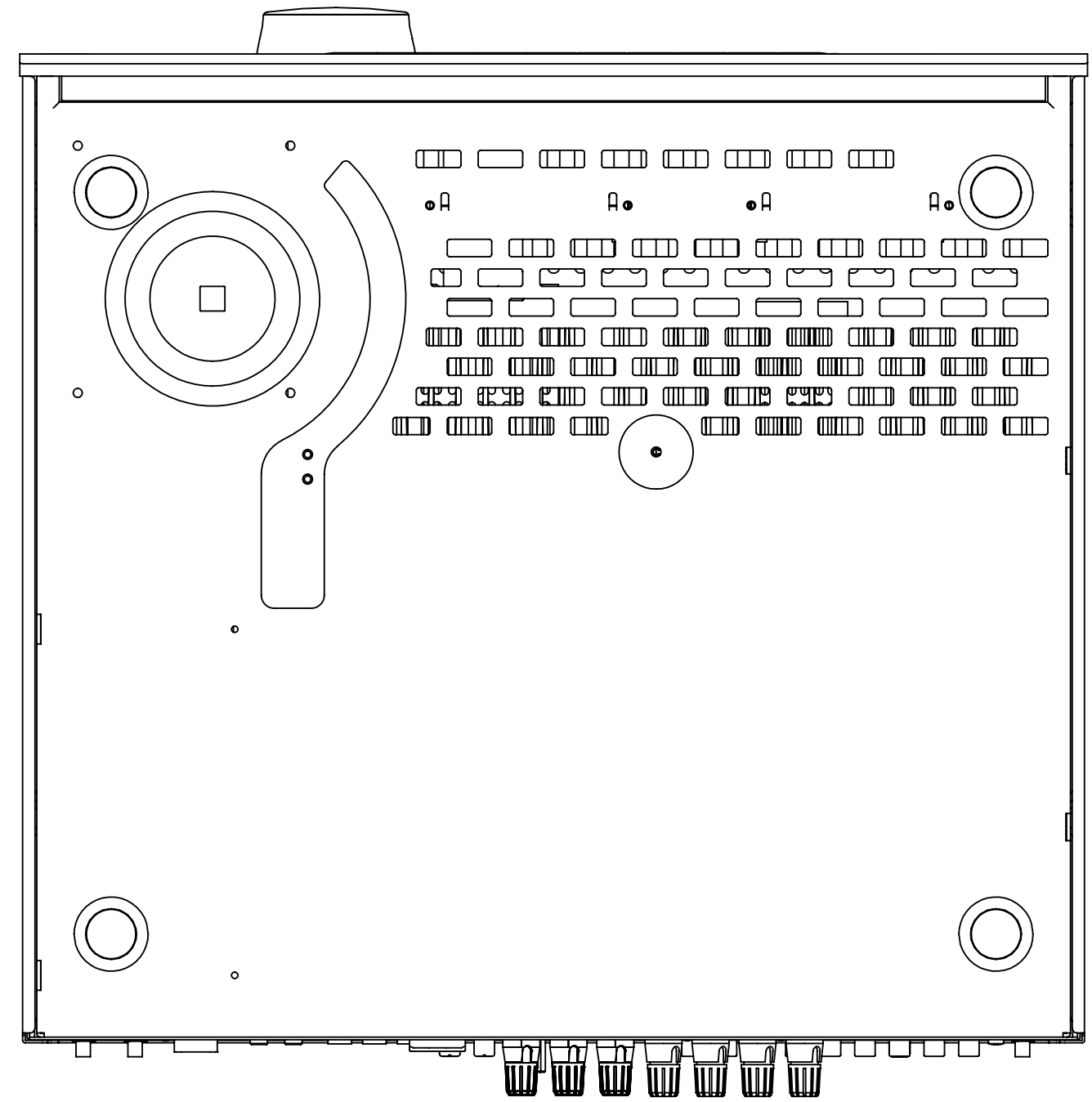


9	10					
ECO NR.	DATE	CHG. ZONE	DESCRIPTION OF CHANGE	REL.	DR.	CHK.
--	8-12-2021	--	FIRST ISSUE	--	MCM	NC
--	--	--	--	--	--	--
--	--	--	--	--	--	--
--	--	--	--	--	--	--
--	--	--	--	--	--	--



REAR VIEW



NOTE:
ALLOW ADEQUATE CLEARANCE
AROUND THE PRODUCT FOR
VENTILATION & CONNECTION

ARCAM A & R CAMBRIDGE LTD LINEAR TOLERANCE +0.2MM UNLESS OTHERWISE STATED ANGULAR TOLERANCE +1° UNLESS OTHERWISE STATED	ALL DIMENSIONS IN MILLIMETERS UNLESS OTHERWISE STATED	DRAWN BY:	MCM
		DATE:	8-12-2021
MATERIAL:		CHECKED BY:	NC
PART NUMBER AND DRAWING NUMBER		ORIGINAL SCALE 1:2.5	
AVR11			
DRAWING TITLE		A1	
AVR11 ASSMEBLY			

