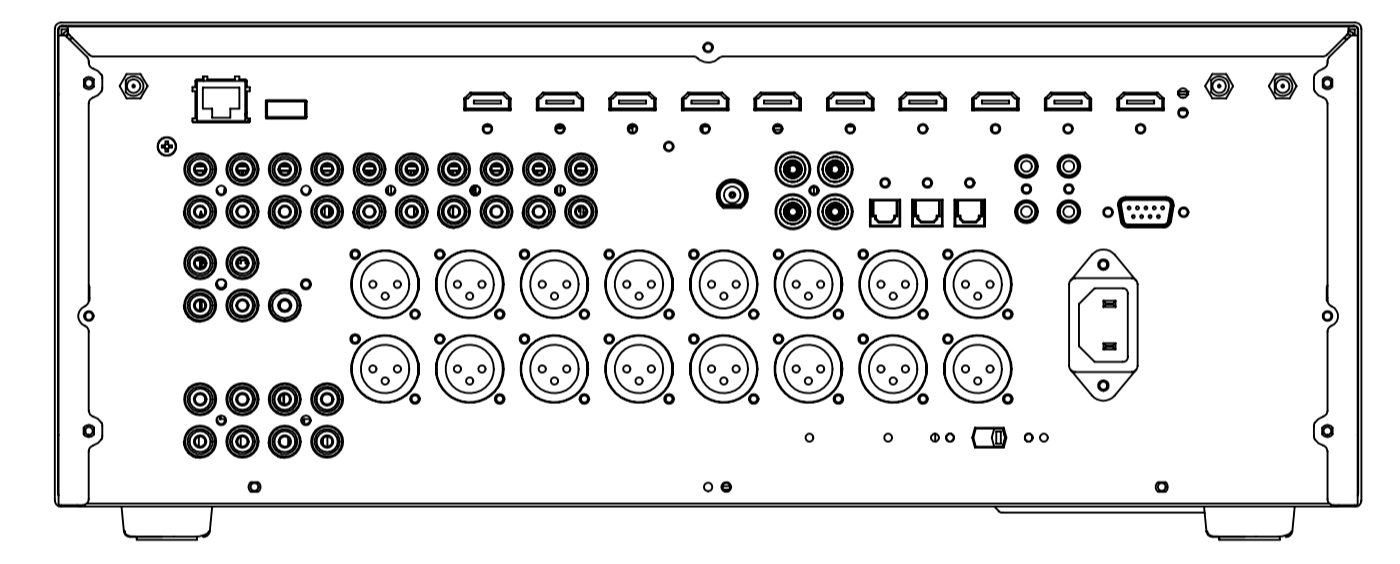
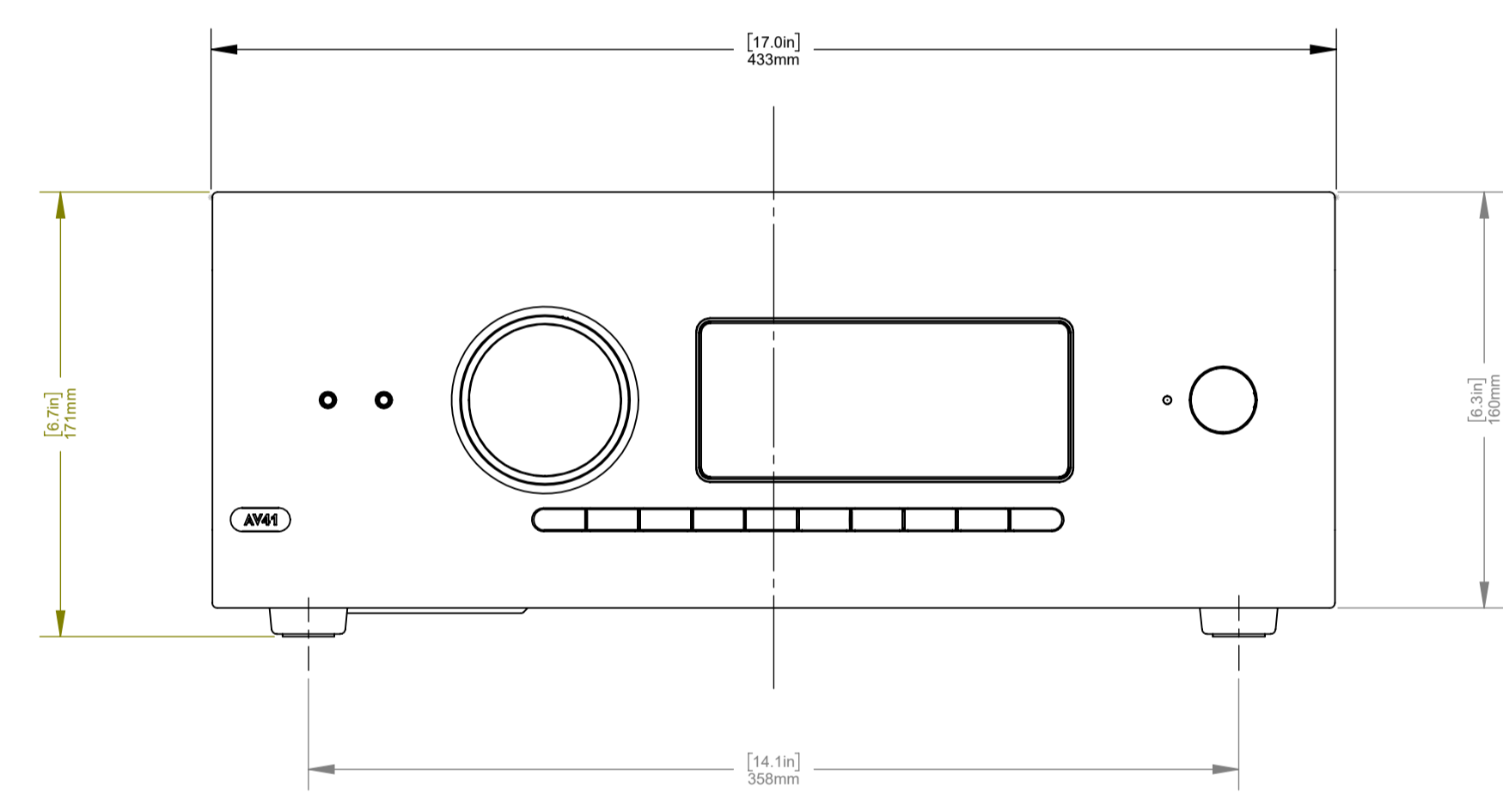
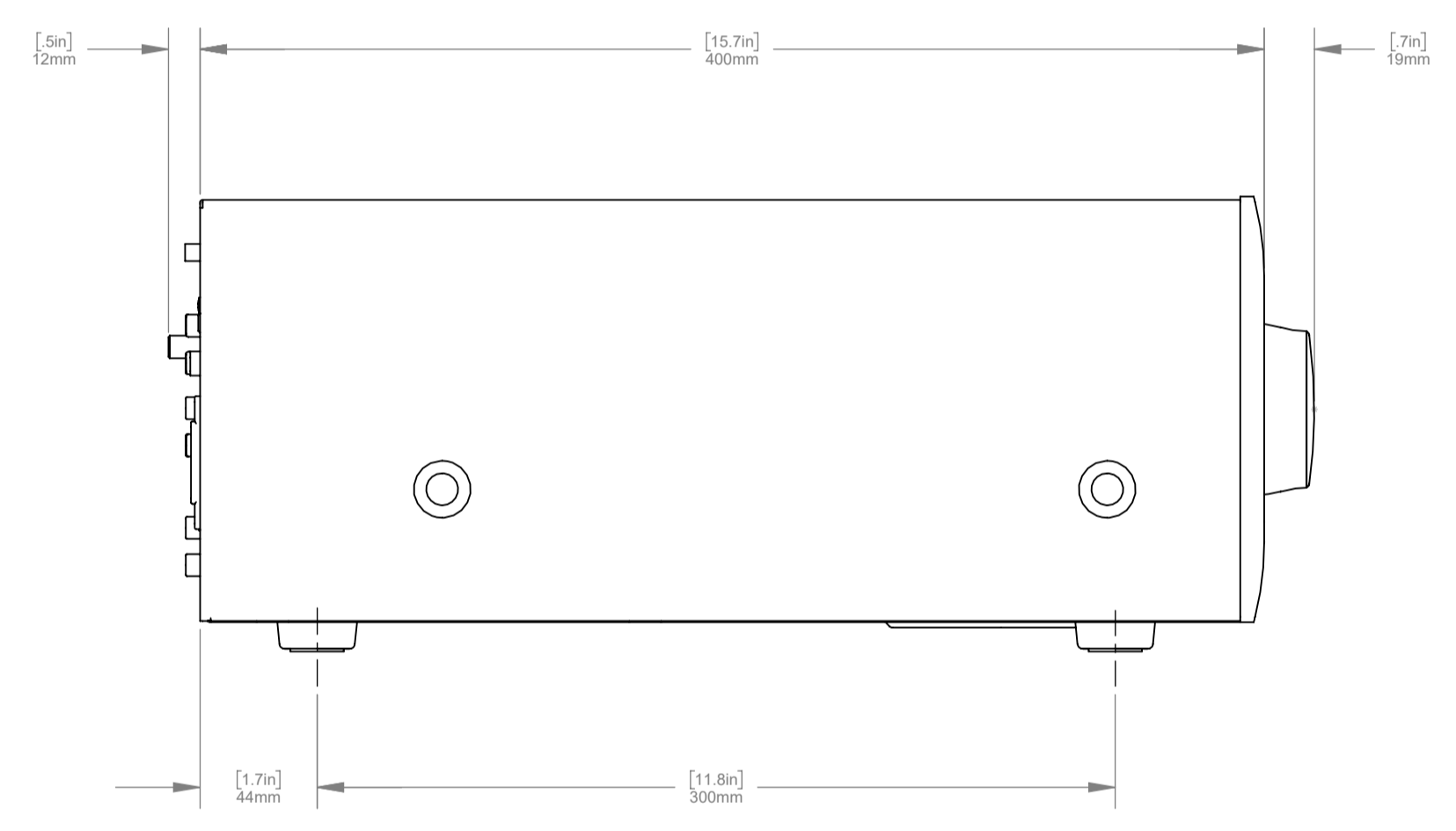
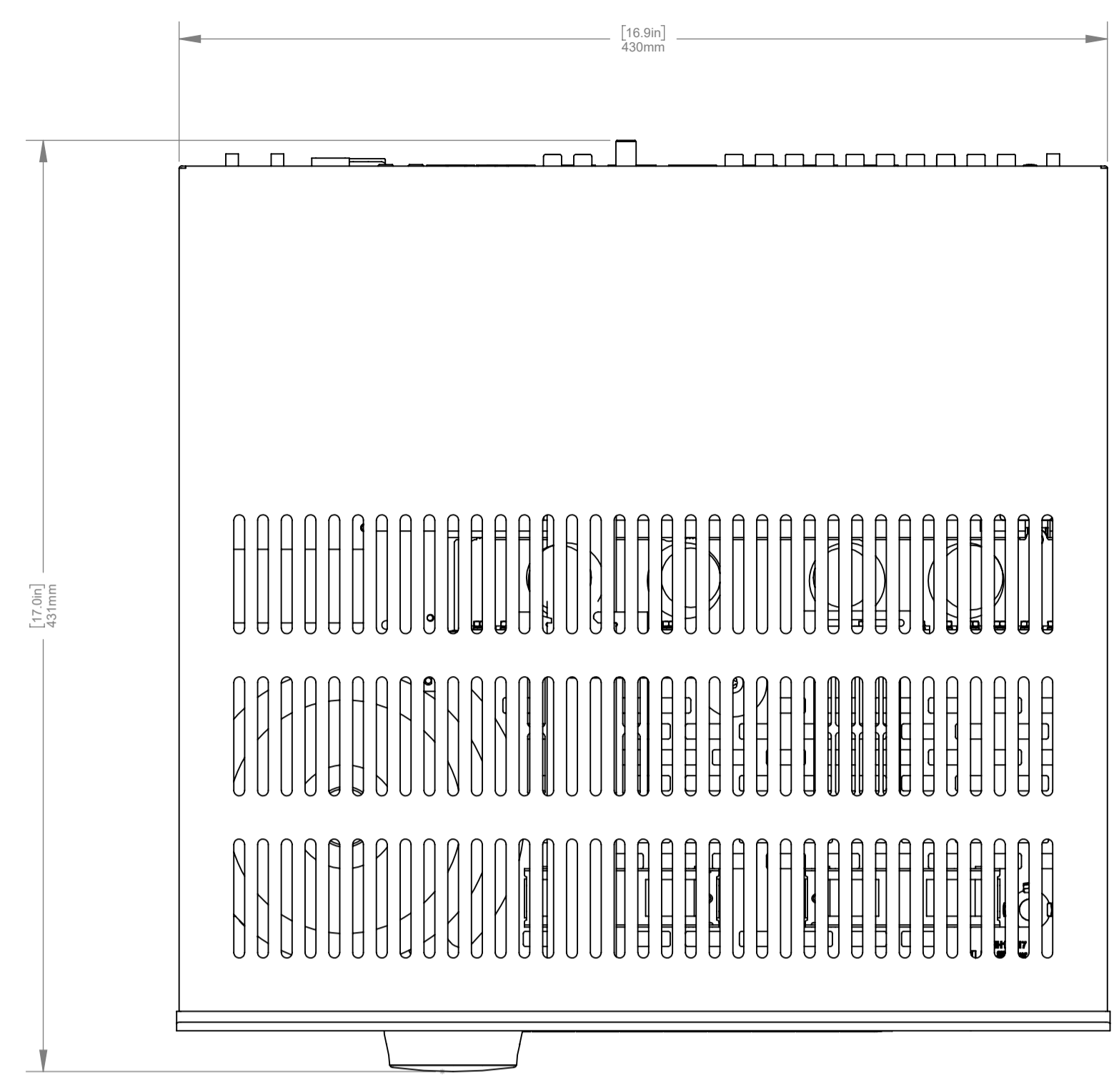
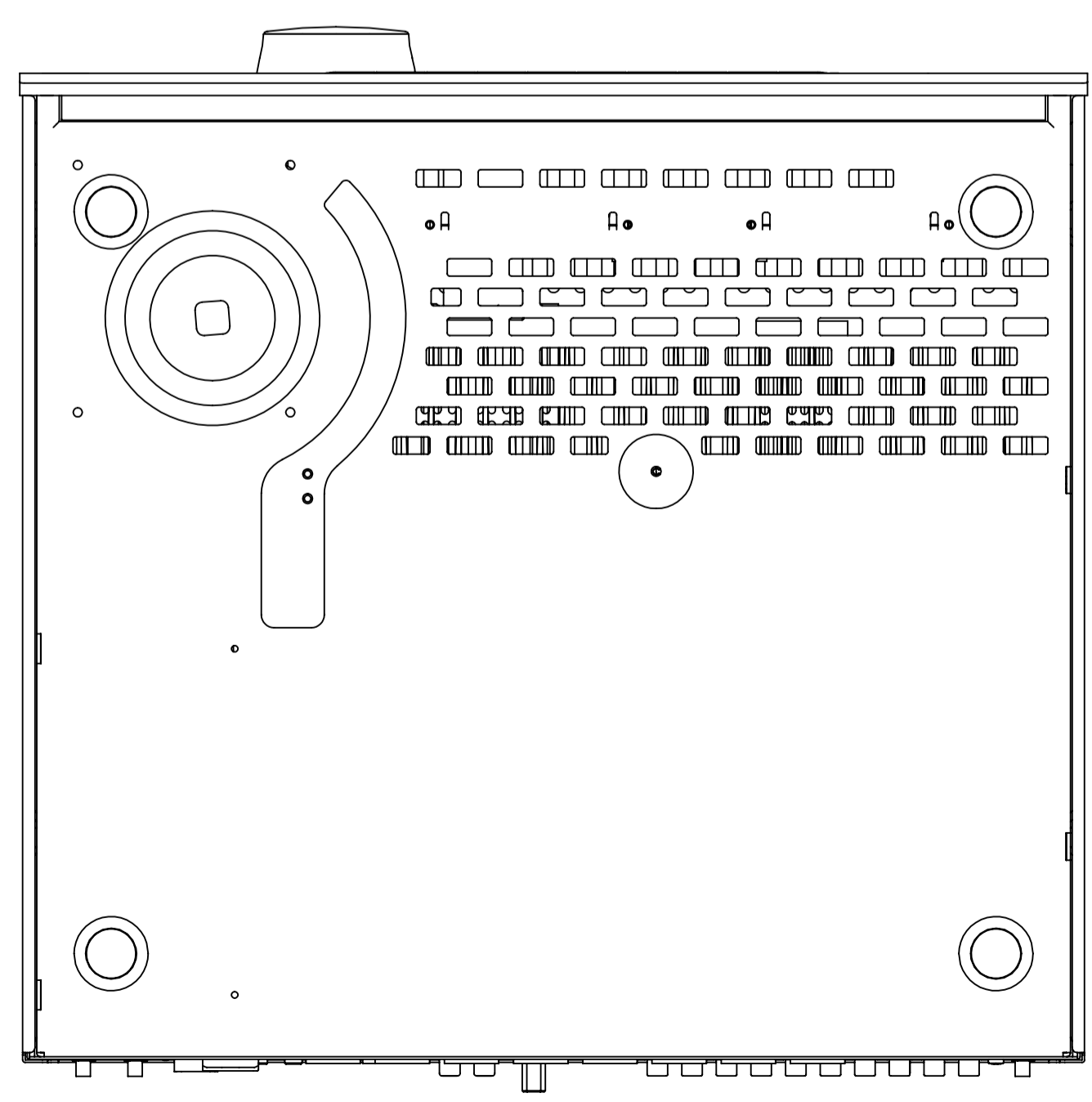


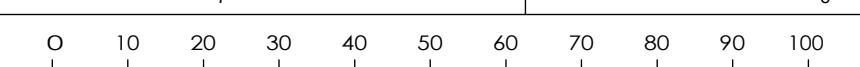
ECO NR.	DATE	CHG.	ZONE	DESCRIPTION OF CHANGE	REL.	DR.	CHK.
--	8-12-2021	--	--	FIRST ISSUE	--	MCM	NC
--	--	--	--	--	--	--	--
--	--	--	--	--	--	--	--
--	--	--	--	--	--	--	--
--	--	--	--	--	--	--	--



REAR VIEW



**NOTE:**  
ALLOW ADEQUATE CLEARANCE  
AROUND THE PRODUCT FOR  
VENTILATION & CONNECTION



<b>ARCAM</b> A & R CAMBRIDGE LTD LINEAR TOLERANCE +0.2MM UNLESS OTHERWISE STATED ANGULAR TOLERANCE +1° UNLESS OTHERWISE STATED	DATE:	8-12-2021	DRAWN BY:	MCM
	CHECKED BY:	NC	ORIGINAL SCALE:	1:2.5
MATERIAL:				
FINISH:				
PART NUMBER AND DRAWING NUMBER		AV41		
DRAWING TITLE		AV41 ASSEMBLY		
				<b>A1</b>