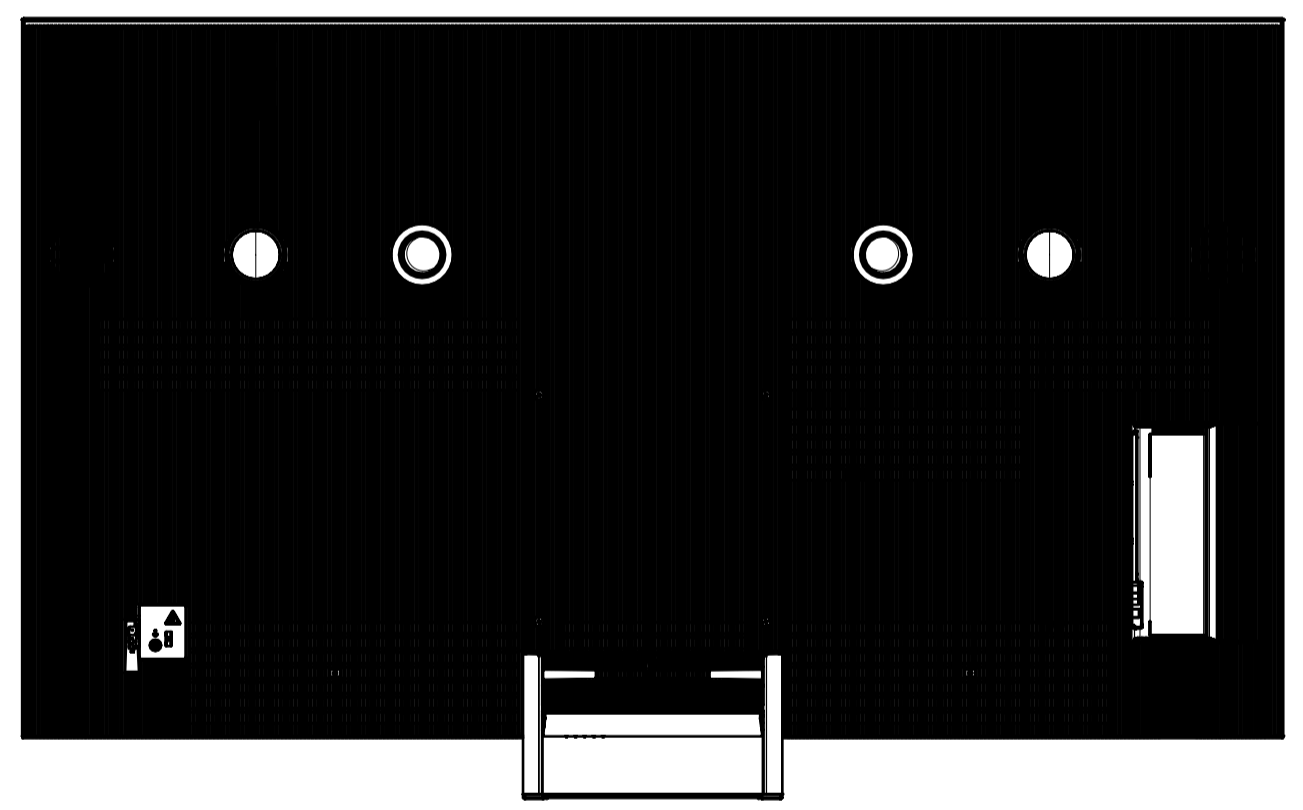
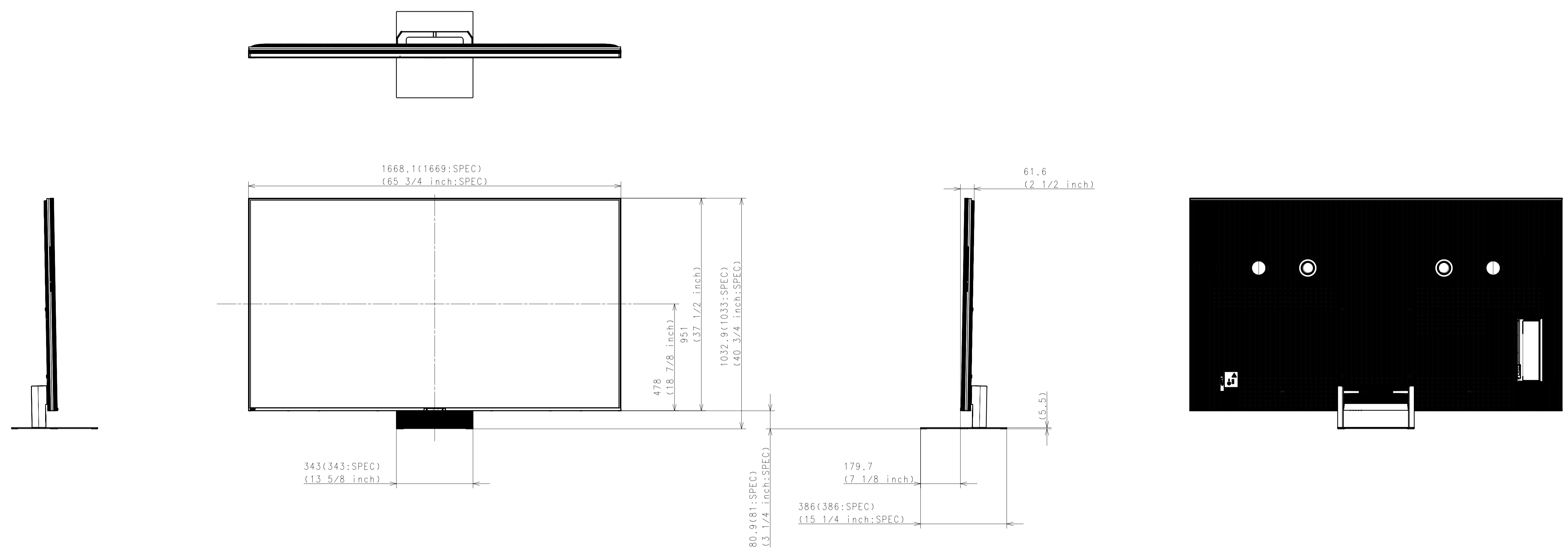


Area		JAPAN	NORTH AMERICA	NORTH AMERICA DERIVATIVE	EUROPE	GENERAL AREA	CHINA
Model Name		K-75XR90M2	K-75XR90M2	K-75XR90CM2	K-75XR95M2	K-75XR90M2	K-75XR90M2
SV No.		SV-44400	SV-44289	SV-44288	SV-44390	SV-44326	SV-44373
DIMENSION	TV only (W x H x D)	-	-	-	-	-	-
	TV only with camera (W x H x D)	166.9 x 95.2 x 4.3 (4.6) cm	1669 x 952 x 43 (46) mm / 65 3/4 x 37 1/2 x 1 3/4 (1 13/16) inch	1669 x 952 x 43 (46) mm / 65 3/4 x 37 1/2 x 1 3/4 (1 13/16) inch	Approx. 166.9 x 95.2 x 4.3 (4.6) cm	Approx. 1669 x 952 x 43 (46) mm	Approx. 1669 x 952 x 43 (46) mm
	TV only with camera (W x H x D)	-	-	-	-	-	-
	TV with Stand (Standard position) (W x H x D)	166.9 x 103.3 x 38.6 cm	1669 x 1033 x 386 mm / 65 3/4 x 40 3/4 x 15 1/4 inch	1669 x 1033 x 386 mm / 65 3/4 x 40 3/4 x 15 1/4 inch	Approx. 166.9 x 103.3 x 38.6 cm	Approx. 1669 x 1033 x 386 mm	Approx. 1669 x 1033 x 386 mm
	TV with Stand (Sound bar position) (W x H x D)	-	-	-	-	-	-
	TV with Stand (Outside) (W x H x D)	-	-	-	-	-	-
	TV with Stand (Inside) (W x H x D)	-	-	-	-	-	-
	TV with Stand (Outside for Soundbar) (W x H x D)	-	-	-	-	-	-
	TV with Stand (Inside for Soundbar) (W x H x D)	-	-	-	-	-	-
	TV with Stand (Narrow position) (W x H x D)	-	-	-	-	-	-
	Stand Width (Standard position)	34.3 cm	343 mm / 13 5/8 inch	343 mm / 13 5/8 inch	Approx. 34.3 cm	Approx. 343 mm	Approx. 343 mm
	Stand Width (Sound bar position)	-	-	-	-	-	-
	Stand Width (Outside)	-	-	-	-	-	-
	Stand Width (Inside)	-	-	-	-	-	-
C	Stand Width (Narrow position)	-	-	-	-	-	-
	Stand Inner Distance	-	-	-	-	-	-
	Stand Inner Distance (Inside position)	-	-	-	-	-	-
	Stand Inner Distance (Outside position)	-	-	-	-	-	-
	Dimension of Stand (W x H x D)	34.3 x 8.1 x 38.6 cm	343 x 81 x 386 mm / 13 5/8 x 3 1/4 x 15 1/4 inch	343 x 81 x 386 mm / 13 5/8 x 3 1/4 x 15 1/4 inch	Approx. 34.3 x 8.1 x 38.6 cm	Approx. 343 x 81 x 386 mm	Approx. 343 x 81 x 386 mm
	Dimension of Stand (Low) (W x H x D)	-	-	-	-	-	-
Dimension of Stand (High) (W x H x D)	-	-	-	-	-	-	
VESA Hole Pitch	30.0 x 30.0 cm	300 x 300 mm / 11 7/8 x 11 7/8 inch	300 x 300 mm / 11 7/8 x 11 7/8 inch	30.0 x 30.0 cm	300 x 300 mm	300 x 300 mm	
D	WEIGHT						
	TV Only	38.1 kg	38.1 kg / 84 lb	38.1 kg / 84 lb	Approx. 38.1 kg	Approx. 38.1 kg	Approx. 38.1 kg
	TV with Stand	43.5 kg	43.5 kg / 95.9 lb	43.5 kg / 95.9 lb	Approx. 43.5 kg	Approx. 43.5 kg	Approx. 43.5 kg
	Remarks	1 way	1 way	1 way	1 way	1 way	1 way

TV with Stand



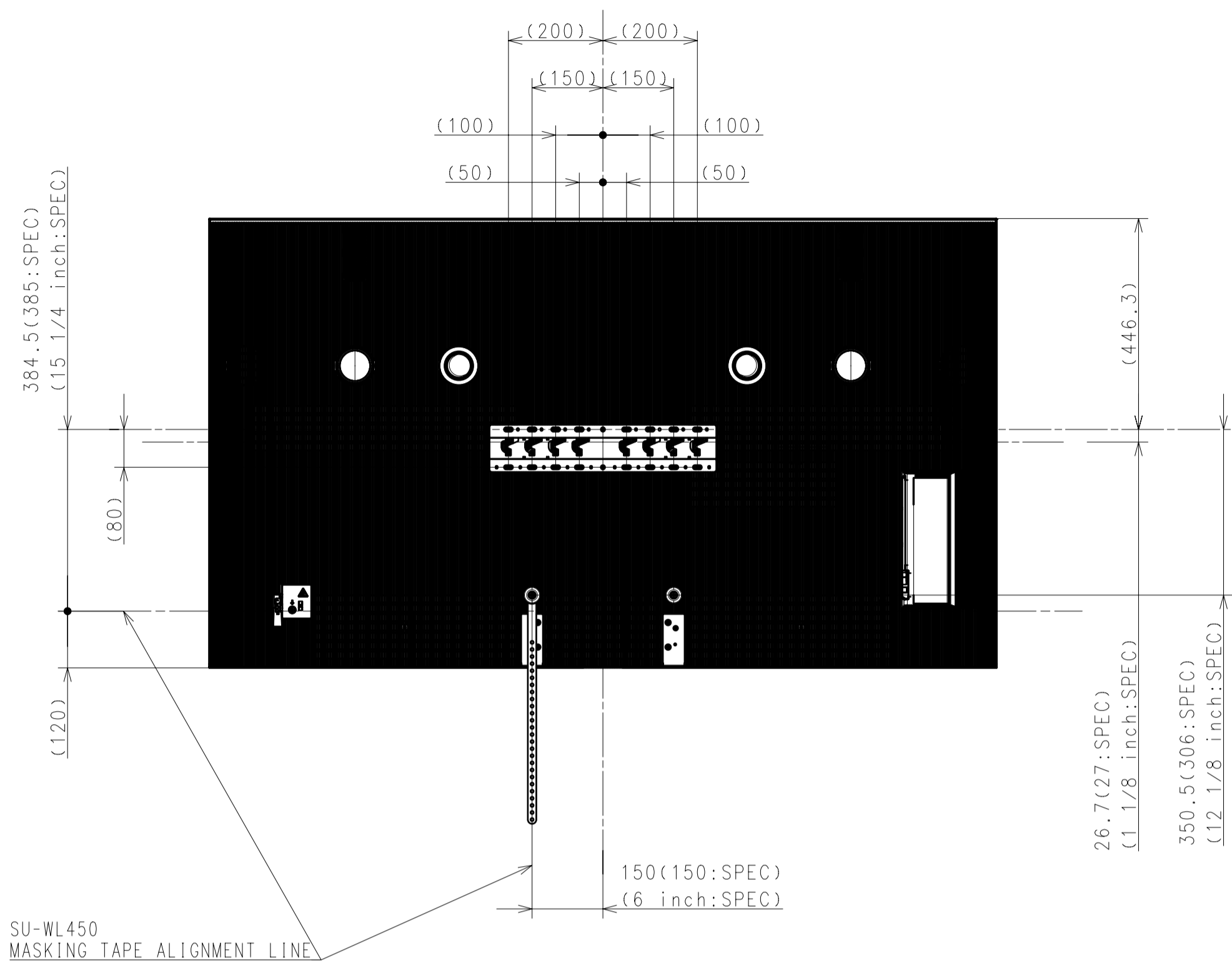
Purchase recycled resins and wire rods only from the business partners that Sony approves as Green Partners.
 再生樹脂・銅線材はグリーンパートナーから購入してください。

△A	△B	△C	△D	△E	△F	△G	△H	△I	△J	△K	△L						
HISTORY / COUNT										SUFFIX / REV. NO.		RELEASE NO. / DATE		REVISION		SIGN.	
LEGAL OWNER										MATERIAL COLOR		FINISH COLOR		GENERAL TOLERANCE		DATE OF ISSUE	
Sony Corporation										RESPONSIBLE DEPARTMENT		ORIGINAL MODEL		DESCRIPTION		DOCUMENT TYPE	
DTC MD div1 MD dept6										75 (XR90M2)		75 (XR90M2)		EXTERIOR VIEW		ASSEMBLY DRAWING	
PLANNED BY / DESIGNED BY / APPROVED BY										SCALE		TENTATIVE MODEL		DESCRIPTION		SHEET/PAGES	
2025.12.26 / Tsakiboki										1:10		75 (XR90M2)		75 (XR90M2)		1 / 4	
DRAWN BY / CHECKED BY										SIZE		UNIT		PART NO.		SUFFIX / REV. NO.	
2025.12.26 / Tsakiboki										A1		mm					

SU WL-450

STANDARD

SLIM



104.6(105:SPEC)
(4 1/4 inch:SPEC)

62.8(63:SPEC)
(2 1/2 inch:SPEC)

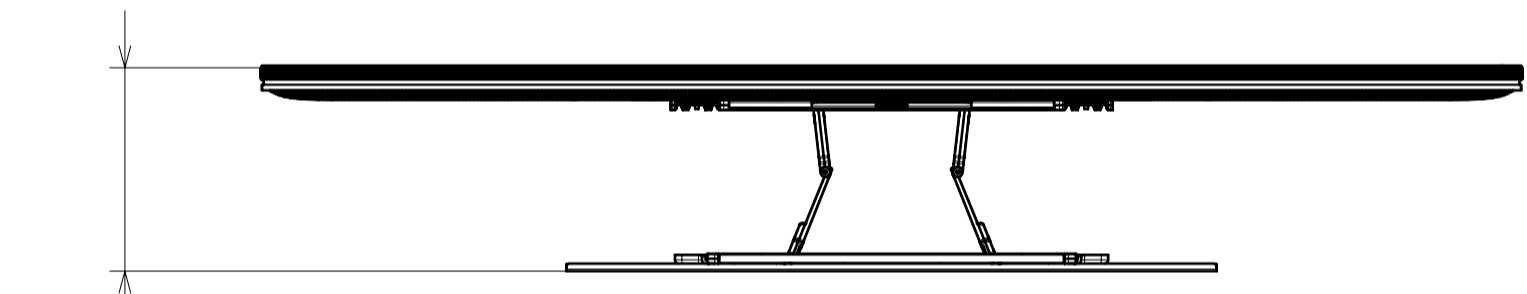
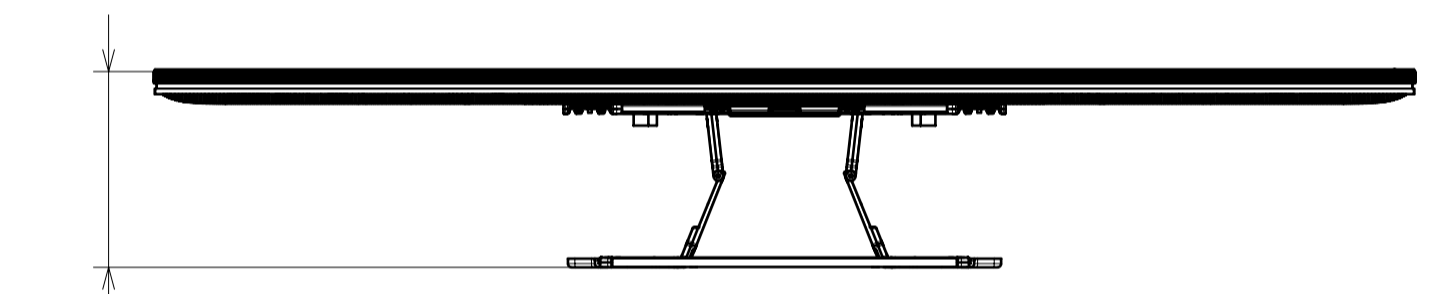
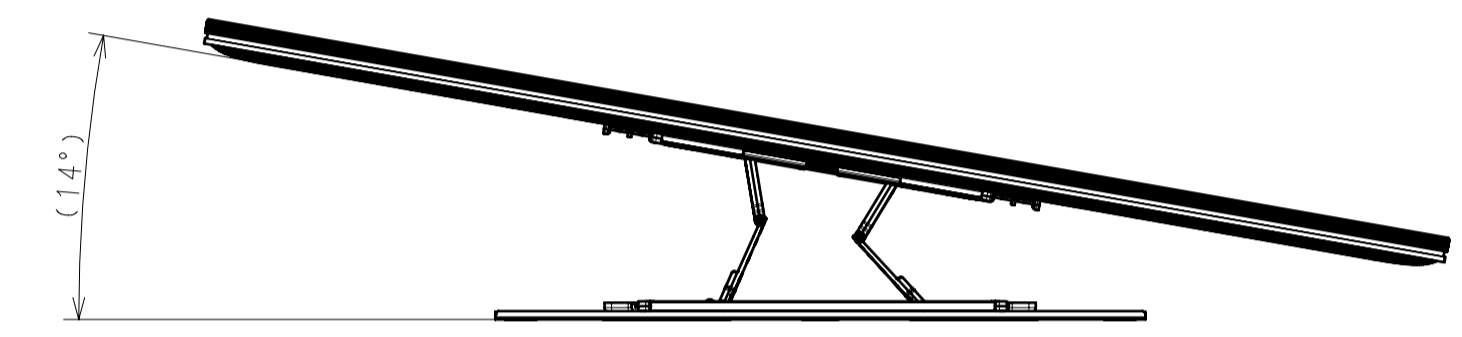
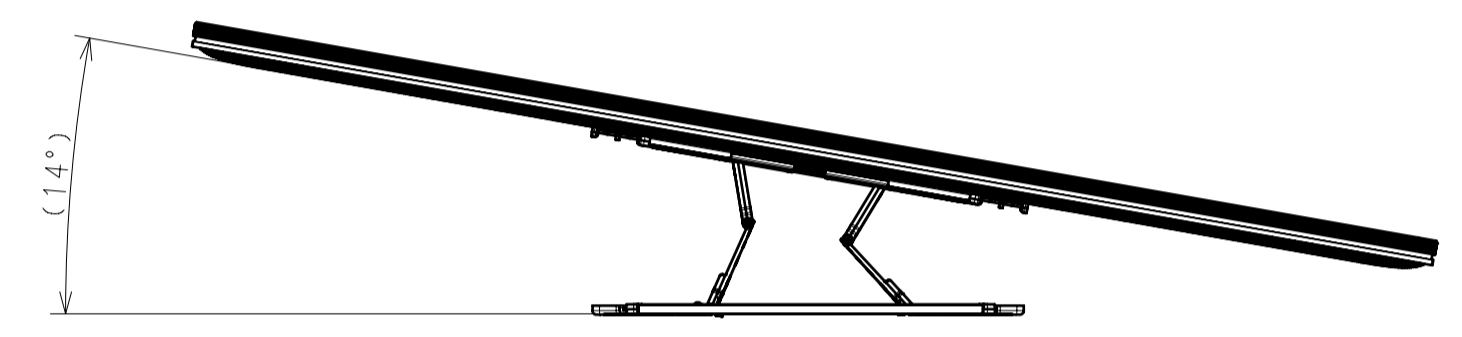
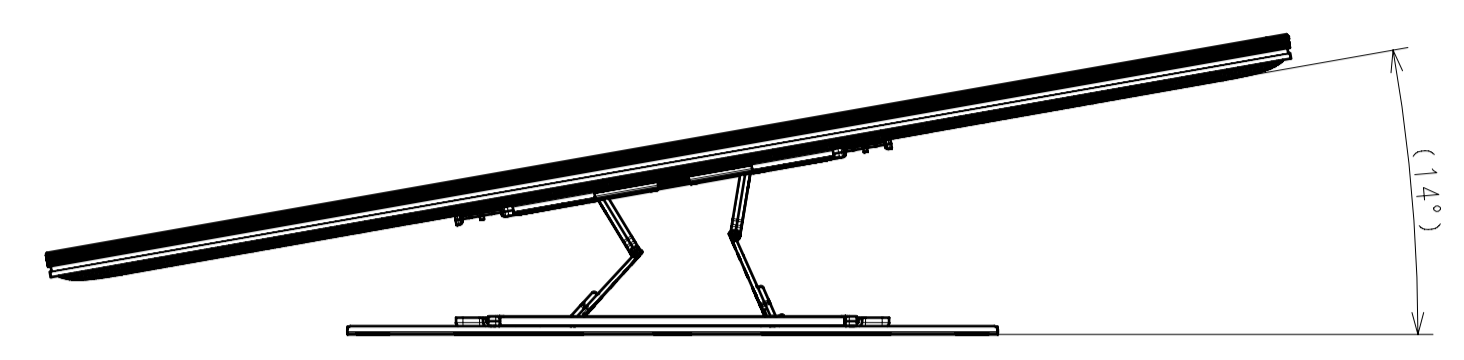
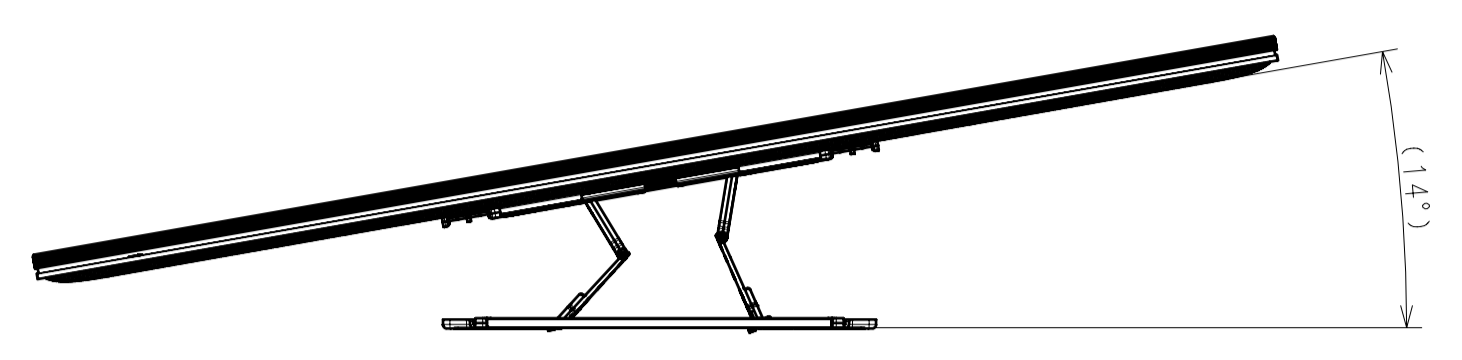
504.5(505:SPEC)
(20 inch:SPEC)

504.5(505:SPEC)
(20 inch:SPEC)

DESCRIPTION 1	LEGAL OWNER	SCALE
75 (XR90M2) EXTERIOR VIEW	Sony Corporation	1:10
DESCRIPTION 2	PART NO.	SHEET/PAGES
75 (XR90M2) EXTERIOR VIEW		3 / 4

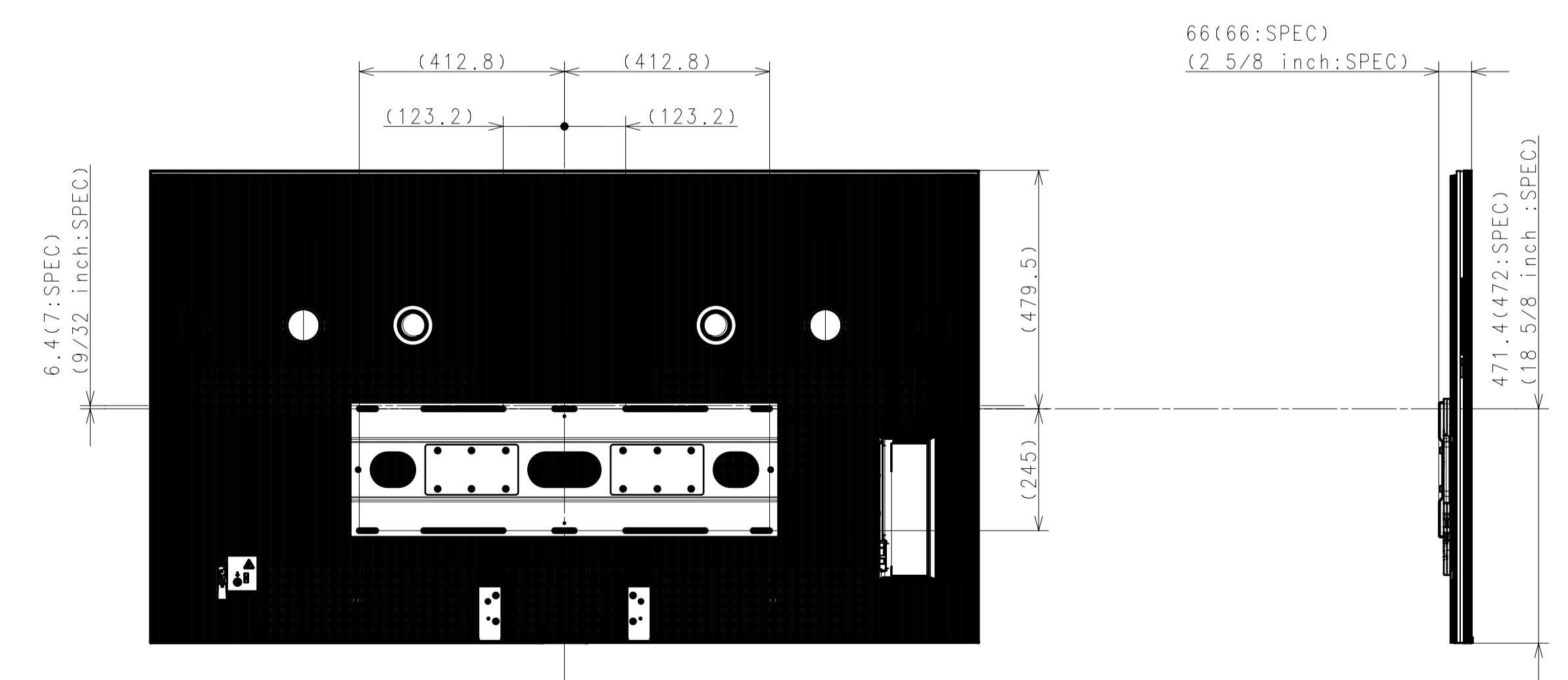
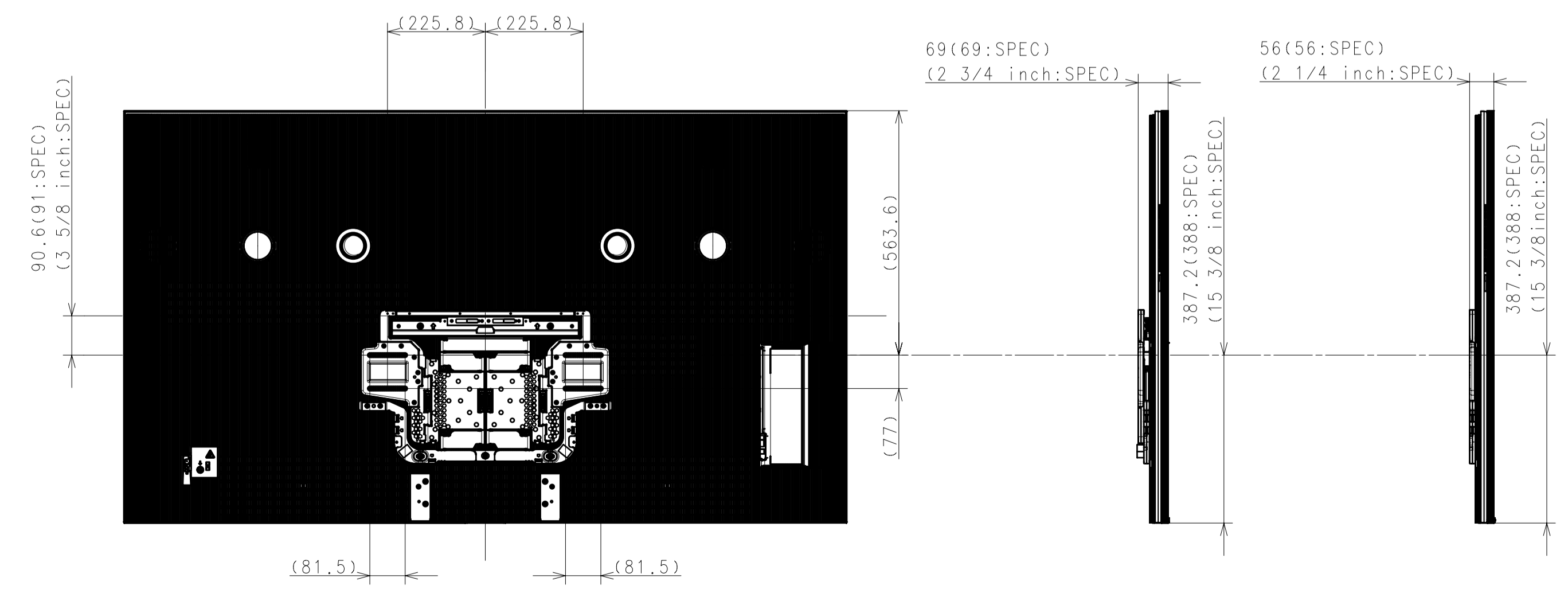
SU WL-900

SU WL-905



STANDARD

SLIM



DESCRIPTION 1	75 (XR90M2) EXTERIOR VIEW	LEGAL OWNER	Sony Corporation	SCALE	1:10
DESCRIPTION 2	75 (XR90M2) EXTERIOR VIEW	PART NO.		SHEET/PAGES	4 / 4