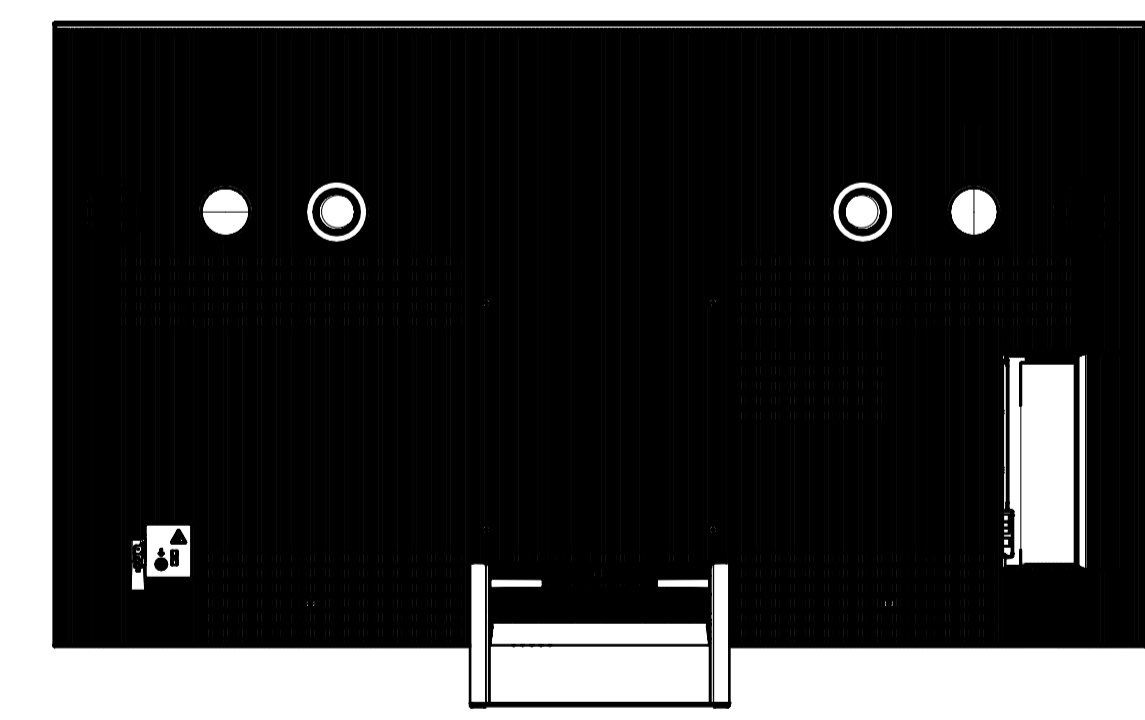
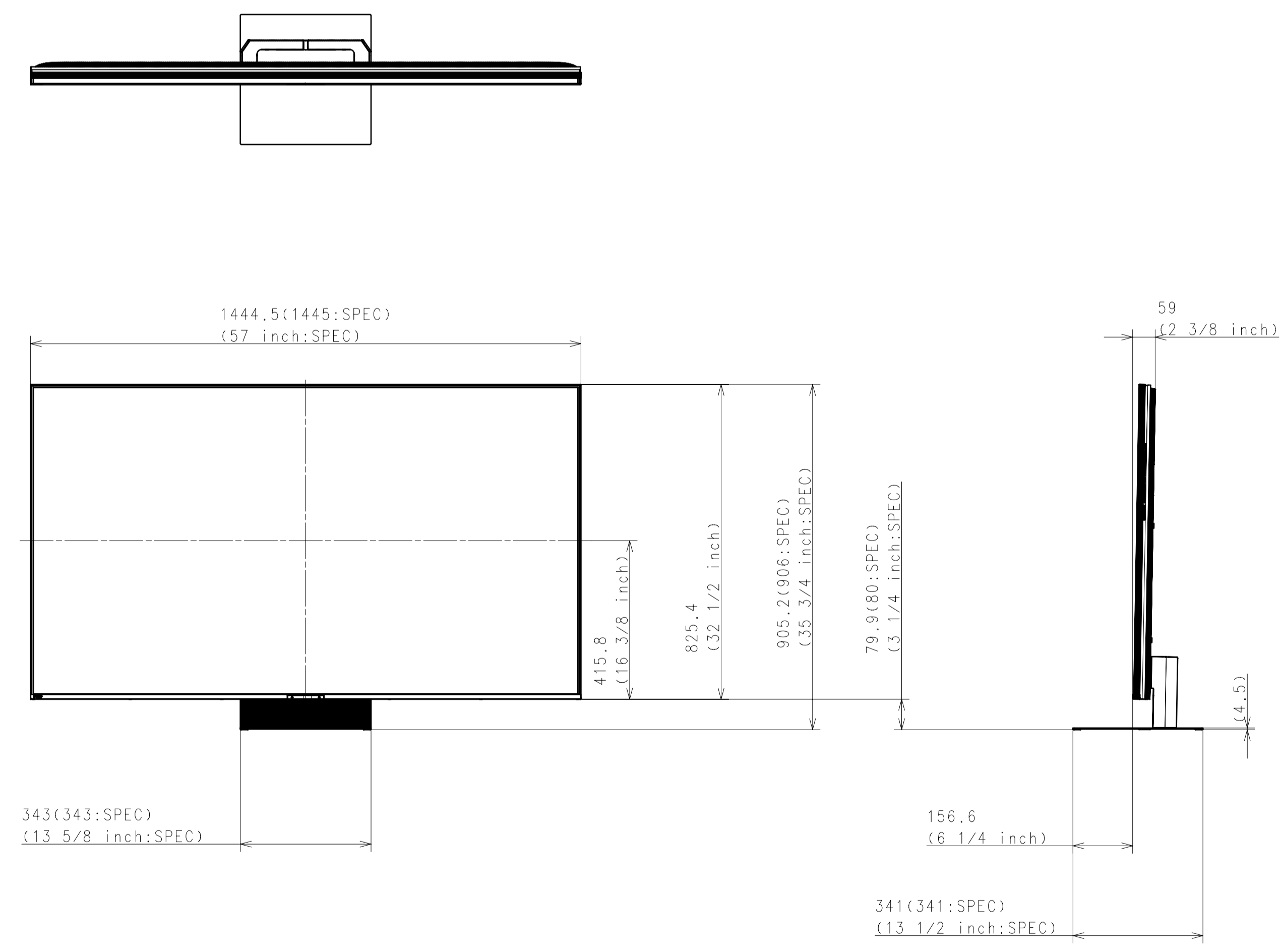


Area		JAPAN	NORTH AMERICA	NORTH AMERICA DERIVATIVE	EUROPE	GENERAL AREA	CHINA
Model Name		K-65XR90M2	K-65XR90M2	K-65XR90CM2	K-65XR95M2	K-65XR90M2	K-65XR90M2
SV No.		SV-44401	SV-44290	SV-44291	SV-44391	SV-44327	SV-44374
DIMENSION	TV only (W x H x D)	-	-	-	-	-	-
	TV only (W x H x D (D-Max))	144.5 x 82.6 x 4.3 (4.5) cm	1445 x 826 x 43 (45) mm / 57 x 32 5/8 x 1 3/4 (1 13/16) inch	1445 x 826 x 43 (45) mm / 57 x 32 5/8 x 1 3/4 (1 13/16) inch	Approx. 144.5 x 82.6 x 4.3 (4.5) cm	Approx. 1445 x 826 x 43 (45) mm	Approx. 1445 x 826 x 43 (45) mm
	TV only with camera (W x H x D)	-	-	-	-	-	-
	TV with Stand (Standard position) (W x H x D)	144.5 x 90.6 x 34.1 cm	1445 x 906 x 341 mm / 57 x 35 3/4 x 13 1/2 inch	1445 x 906 x 341 mm / 57 x 35 3/4 x 13 1/2 inch	Approx. 144.5 x 90.6 x 34.1 cm	Approx. 1445 x 906 x 341 mm	Approx. 1445 x 906 x 341 mm
	TV with Stand (Sound bar position) (W x H x D)	-	-	-	-	-	-
	TV with Stand (Outside) (W x H x D)	-	-	-	-	-	-
	TV with Stand (Inside) (W x H x D)	-	-	-	-	-	-
	TV with Stand (Outside for Soundbar) (W x H x D)	-	-	-	-	-	-
	TV with Stand (Inside for Soundbar) (W x H x D)	-	-	-	-	-	-
	TV with Stand (Narrow position) (W x H x D)	-	-	-	-	-	-
	Stand Width (Standard position)	34.3 cm	343 mm / 13 5/8 inch	343 mm / 13 5/8 inch	Approx. 34.3 cm	Approx. 343 mm	Approx. 343 mm
	Stand Width (Sound bar position)	-	-	-	-	-	-
	Stand Width (Outside)	-	-	-	-	-	-
	Stand Width (Inside)	-	-	-	-	-	-
	Stand Width (Narrow position)	-	-	-	-	-	-
	Stand Inner Distance	-	-	-	-	-	-
	Stand Inner Distance (Inside position)	-	-	-	-	-	-
	Stand Inner Distance (Outside position)	-	-	-	-	-	-
	Dimension of Stand (W x H x D)	34.3 x 8.0 x 34.1 cm	343 x 80 x 341 mm / 13 5/8 x 3 1/4 x 13 1/2 inch	343 x 80 x 341 mm / 13 5/8 x 3 1/4 x 13 1/2 inch	Approx. 34.3 x 8.0 x 34.1 cm	Approx. 343 x 80 x 341 mm	Approx. 343 x 80 x 341 mm
	Dimension of Stand (Low) (W x H x D)	-	-	-	-	-	-
	Dimension of Stand (High) (W x H x D)	-	-	-	-	-	-
	VESA Hole Pitch	30.0 x 30.0 cm	300 x 300 mm / 11 7/8 x 11 7/8 inch	300 x 300 mm / 11 7/8 x 11 7/8 inch	30.0 x 30.0 cm	300 x 300 mm	300 x 300 mm
WEIGHT	TV Only	26.6 kg	26.6 kg / 58.6 lb	26.6 kg / 58.6 lb	Approx. 26.6 kg	Approx. 26.6 kg	Approx. 26.6 kg
	TV with Stand	30.6 kg	30.6 kg / 67.5 lb	30.6 kg / 67.5 lb	Approx. 30.6 kg	Approx. 30.6 kg	Approx. 30.6 kg
Remarks		1 way	1 way	1 way	1 way	1 way	1 way

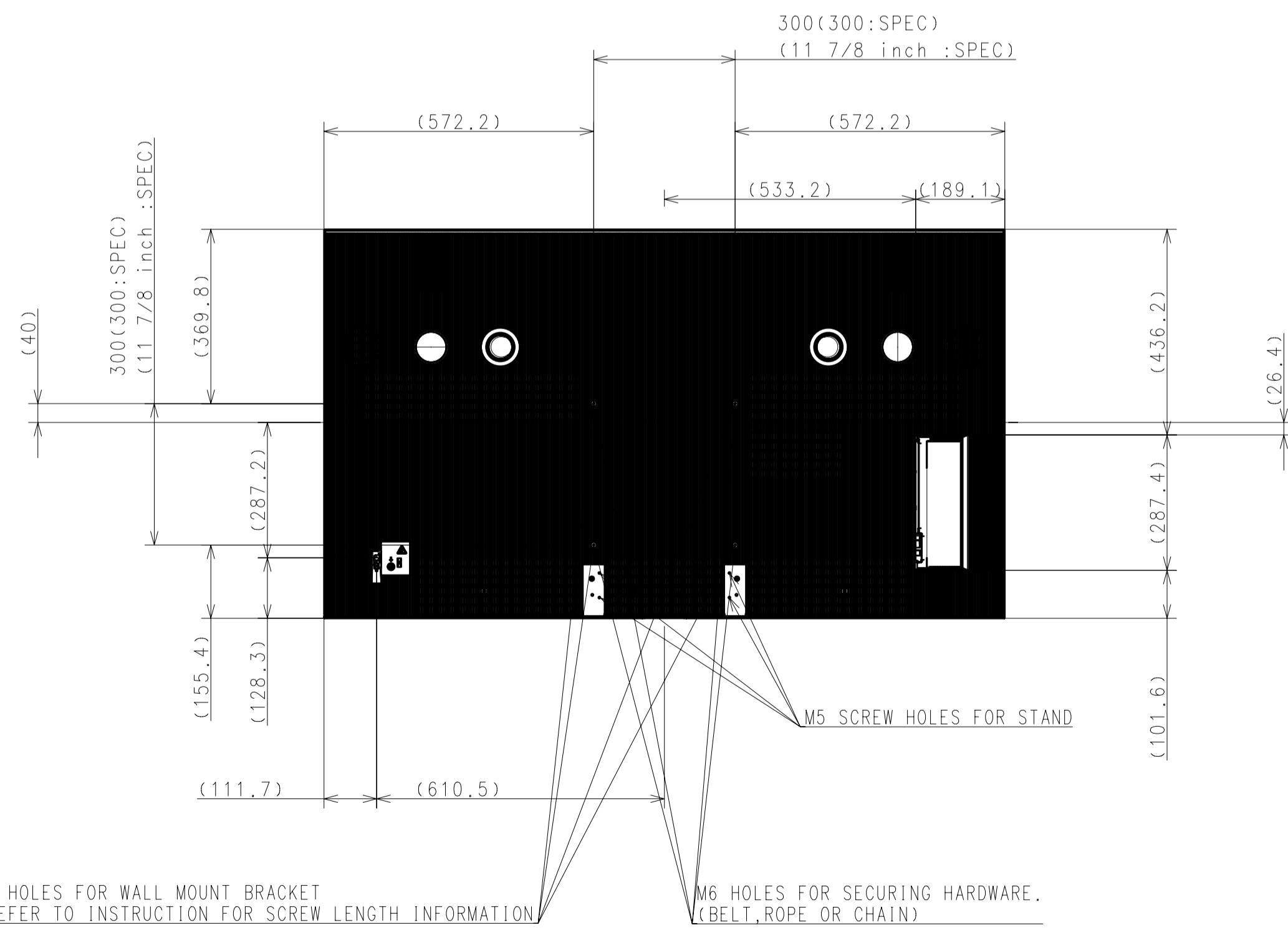
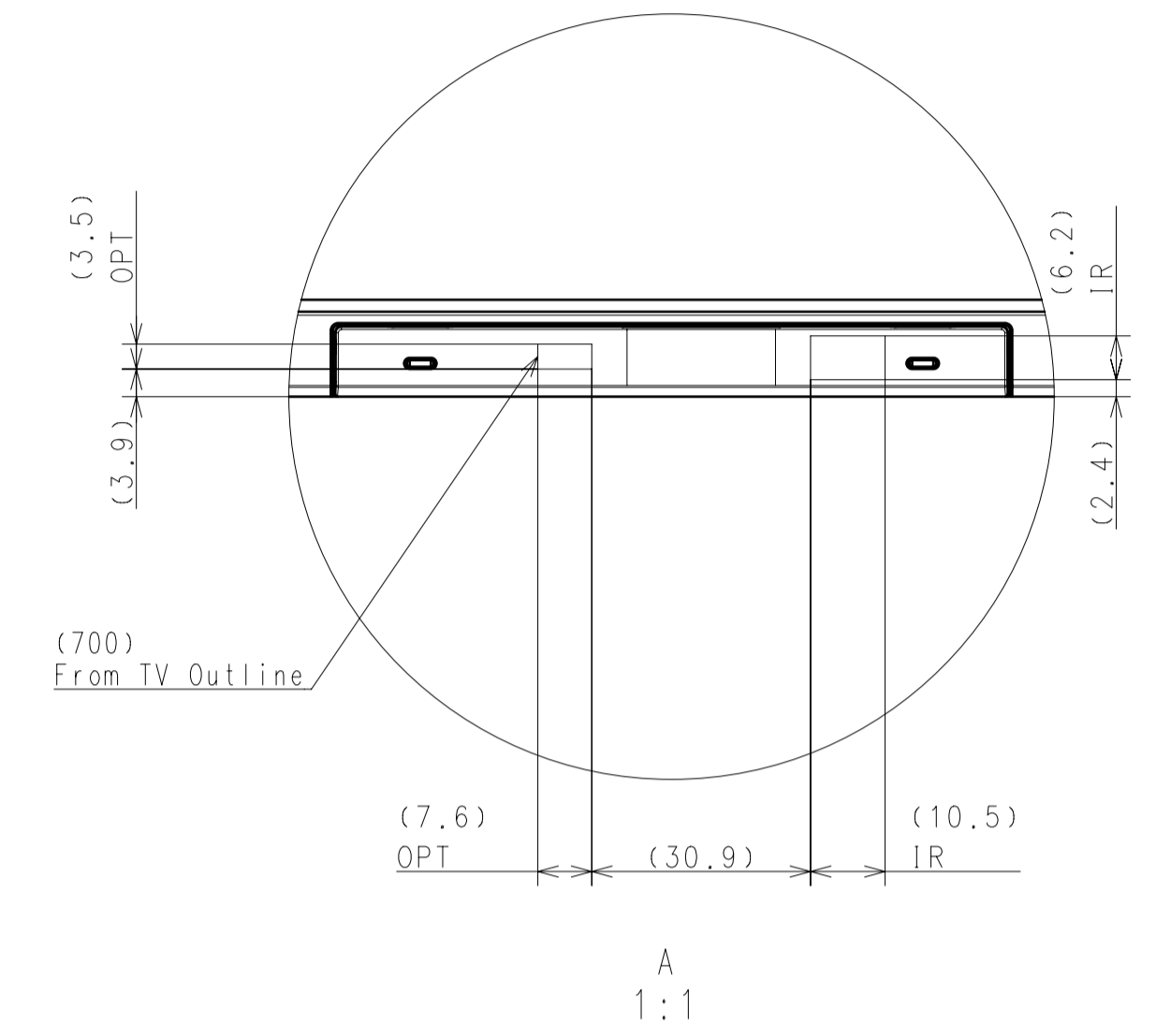
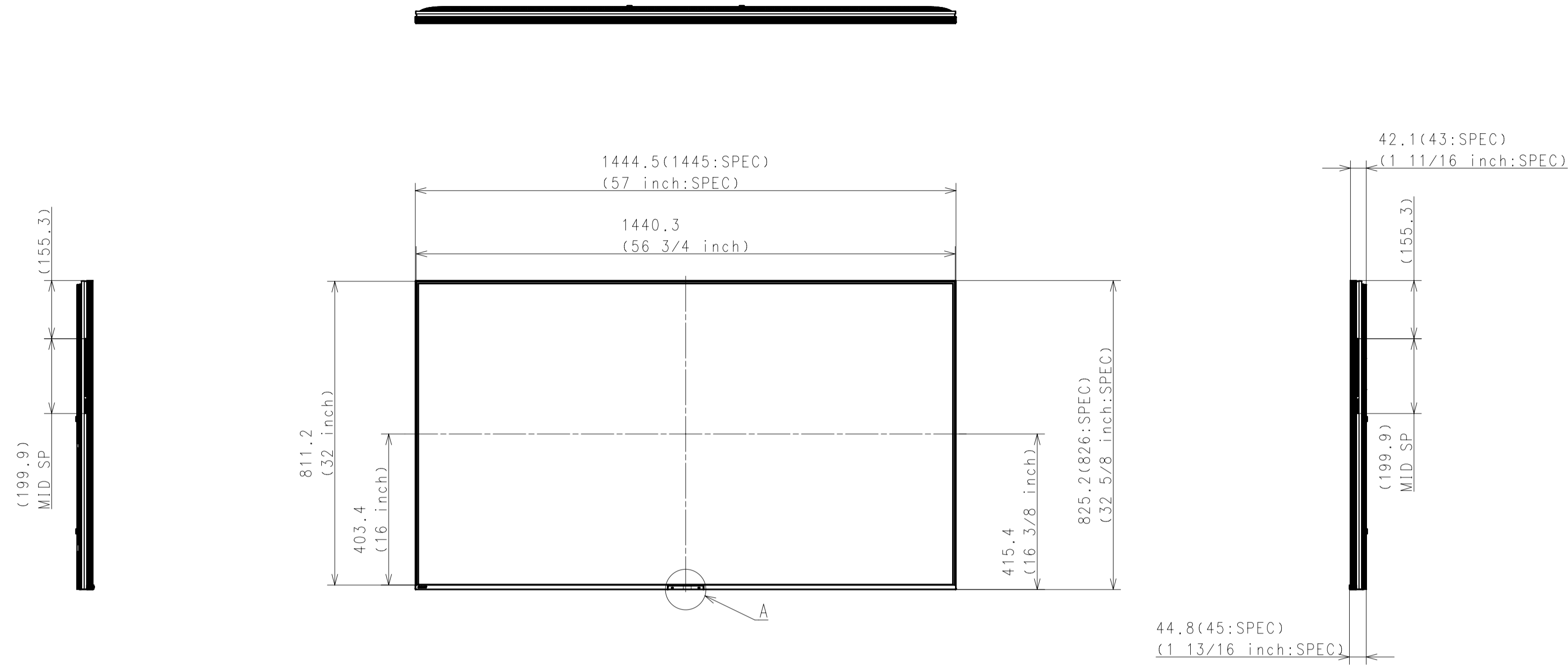
TV with stand



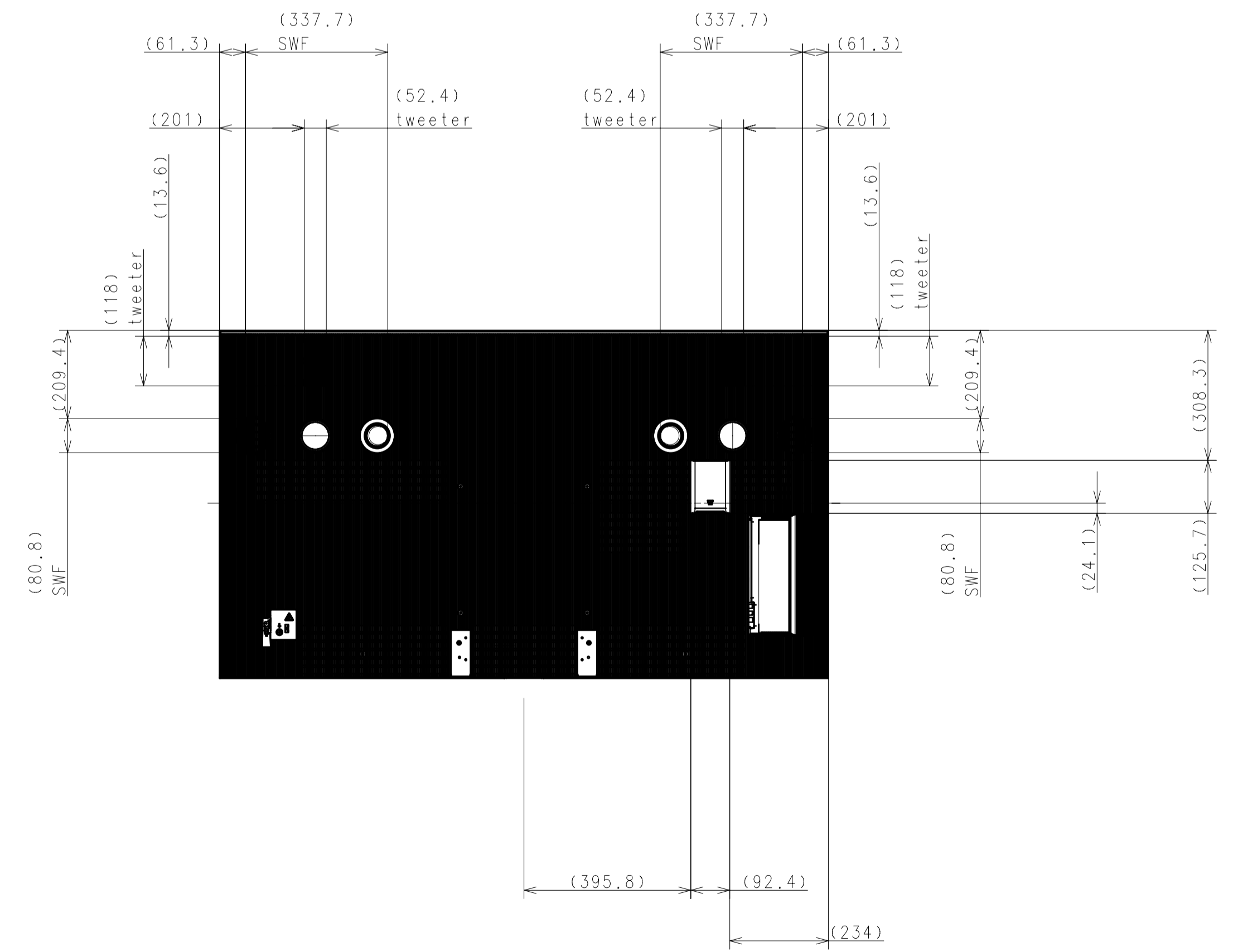
Purchase recycled resins and wire rods only from the business partners that Sony approves as Green Partners.  
再生樹脂・電線鋼線はグリーンパートナー認定製品から調達すること。

DATE OF ISSUE 2025.12.26	DOCUMENT TYPE ASSEMBLY DRAWING	GENERAL TOLERANCE	MATERIAL COLOR	FINISH COLOR
RESPONSIBLE DEPARTMENT DTC_MD div1 MD dept6 PLANNED BY 2025.12.26 DRAWN BY 2025.12.26 Kaseki Takano		CHECKED BY APPROVED BY SCALE 1:10 SIZE A1 UNIT mm	ORIGINAL MODEL TENTATIVE MODEL DESCRIPTION 65 (XR90M2) EXTERIOR VIEW 65 (XR90M2) EXTERIOR VIEW SHEET/PAGES 1 / 4	DATE OF ISSUE 2025.12.26 DOCUMENT TYPE ASSEMBLY DRAWING GENERAL TOLERANCE MATERIAL COLOR FINISH COLOR

TV only



FOR EXCEPT EUROPE



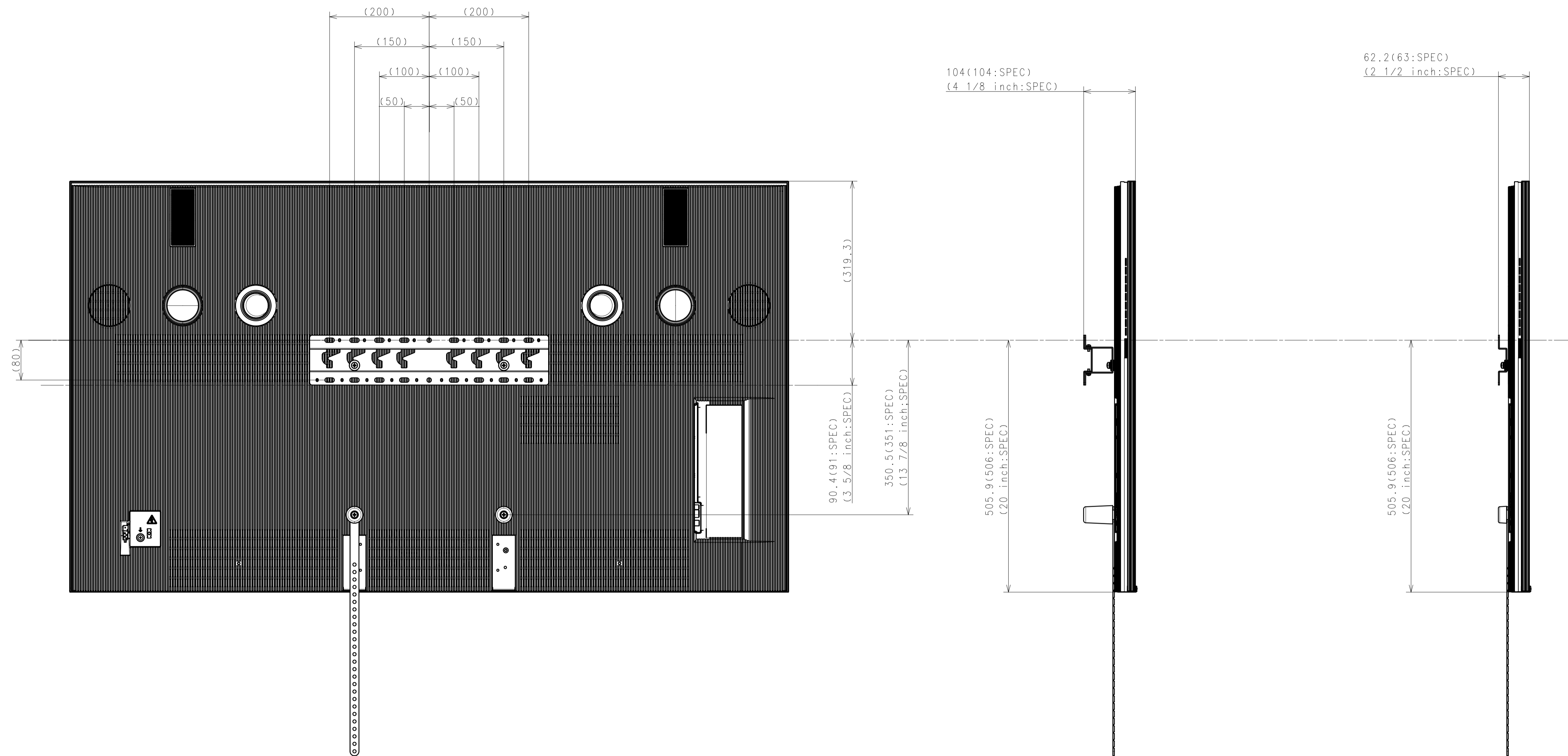
FOR EUROPE

DESCRIPTION 1	65 (XR90M2) EXTERIOR VIEW	LEGAL OWNER	Sony Corporation	SCALE	1:10
DESCRIPTION 2	65 (XR90M2) EXTERIOR VIEW	PART NO.		SHEET/PAGES	2 / 4

SU-WL450

STANDARD

SLIM

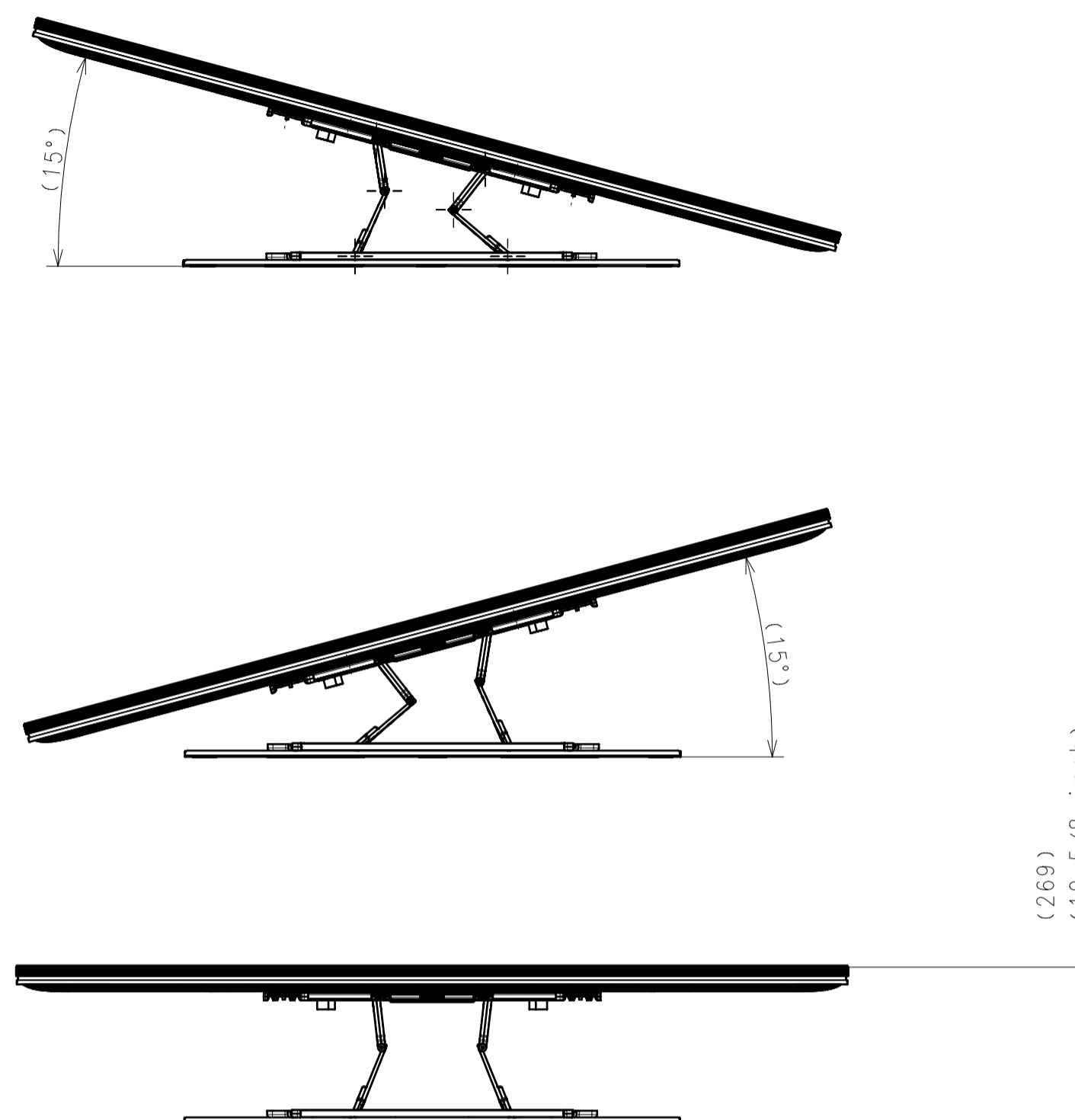
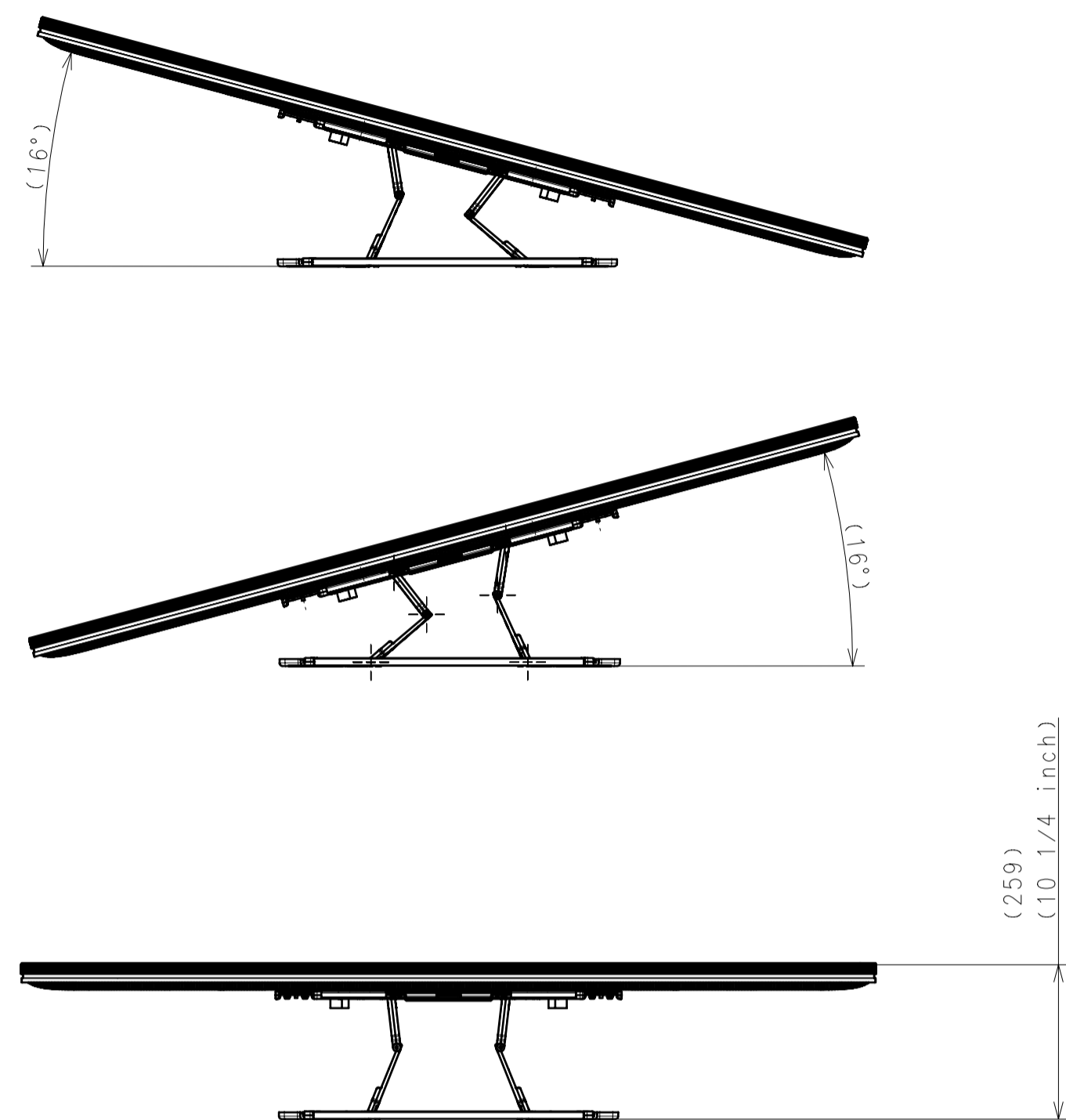


SONY STANDARD DRAWING

DESCRIPTION 1	LEGAL OWNER	SCALE
65 (XR90M2) EXTERIOR VIEW	Sony Corporation	1:5
DESCRIPTION 2	PART NO.	SHEET/PAGES
65 (XR90M2) EXTERIOR VIEW		3 / 4

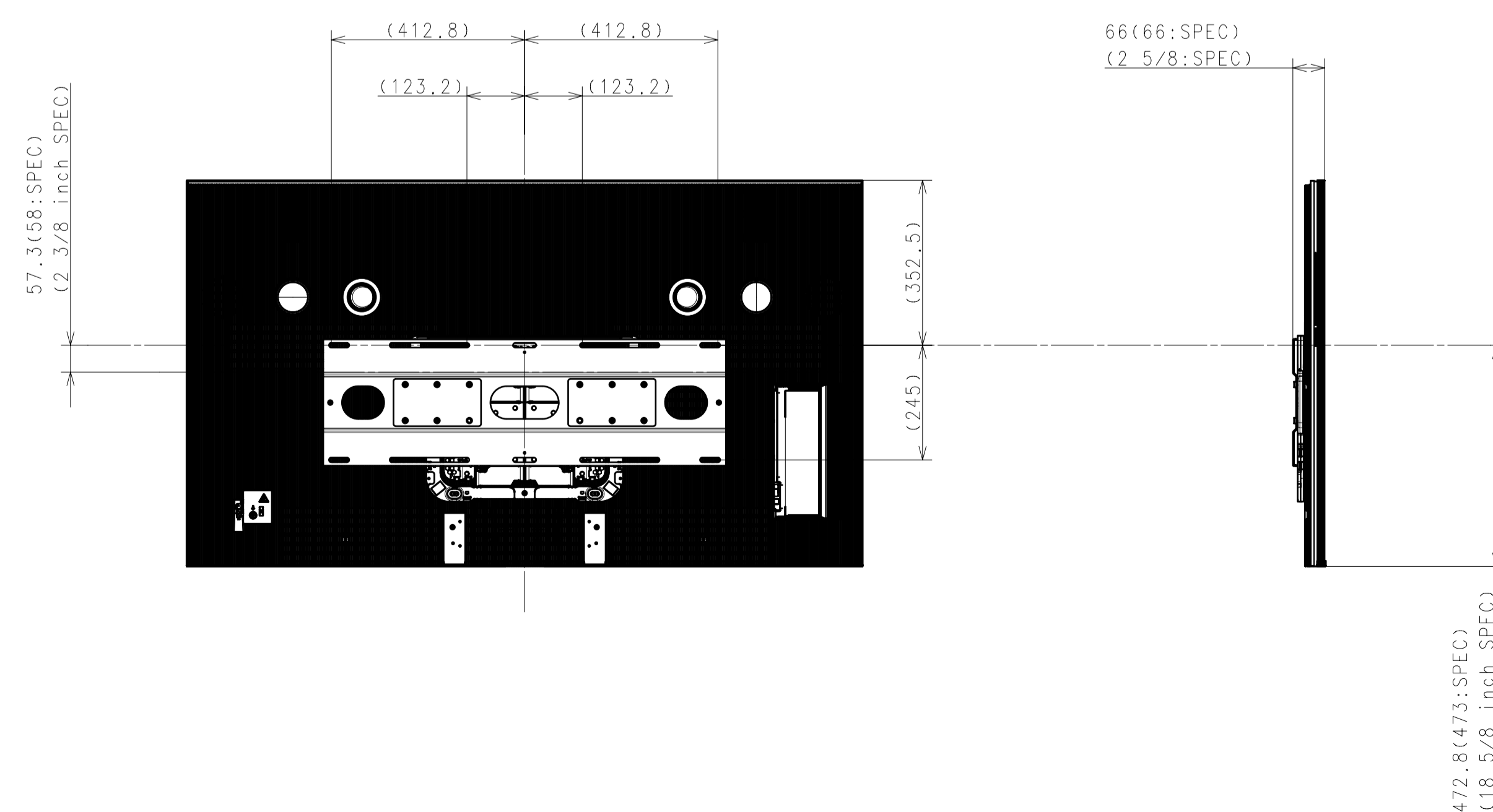
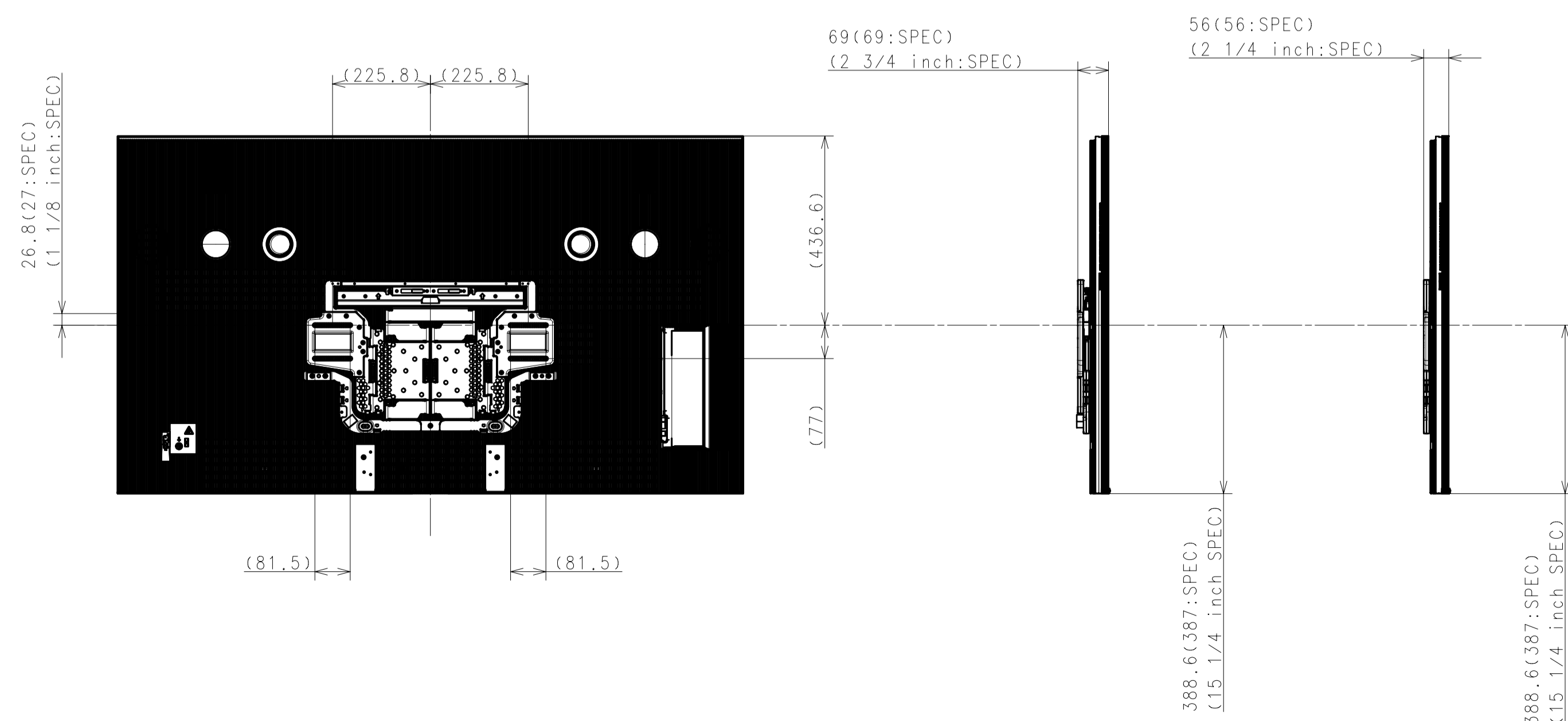
SU-WL900

SU-WL905



STANDARD

SLIM



DESCRIPTION 1	65 (XR90M2) EXTERIOR VIEW	LEGAL OWNER	Sony Corporation	SCALE	1:10
DESCRIPTION 2	65 (XR90M2) EXTERIOR VIEW	PART NO.		SHEET/PAGES	4 / 4