

CustomSound™ CSIR SUB In-Room Subwoofer



CSIR SUB

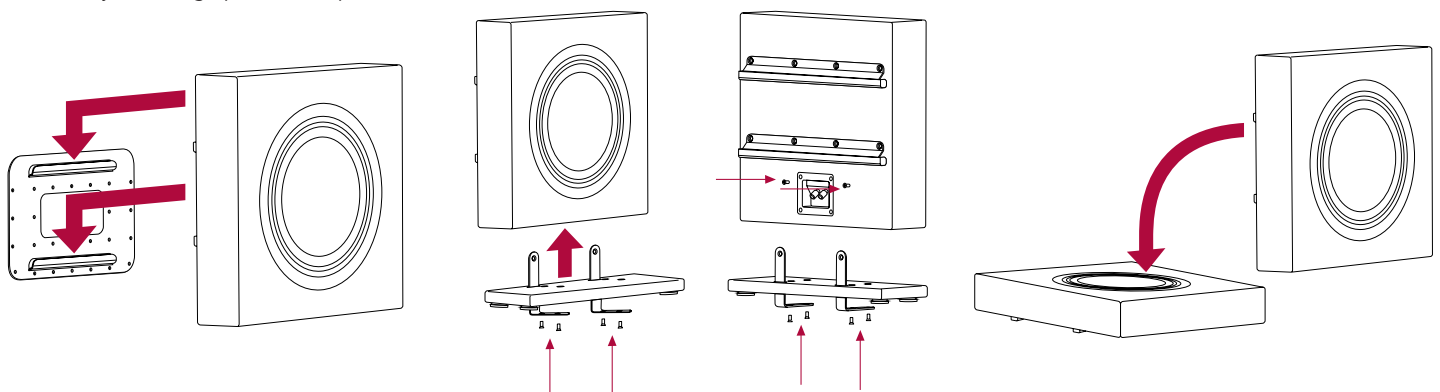
This In-Room Subwoofer offers several elegant and highly versatile solutions. Measuring a mere 15¾" x 15¾" x 4¾", the CSIR SUB can disappear into the décor of any room, but its stylish design is a feature in and of itself.

It can be applied in 3 distinct ways. It can be mounted on a narrow, low profile plinth and placed upright. It can also be set on its back allowing it to be tucked out of the way, behind or under furniture. It comes with a mounting bracket, enabling the subwoofer to be wall mounted to maximize floor space.

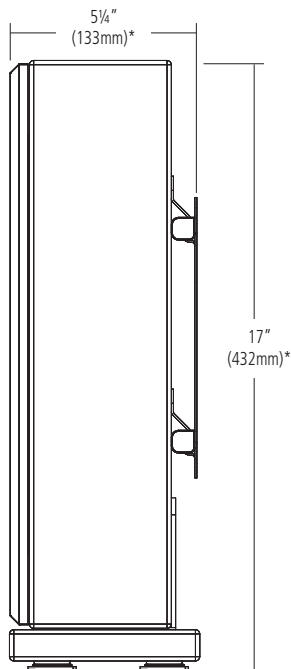
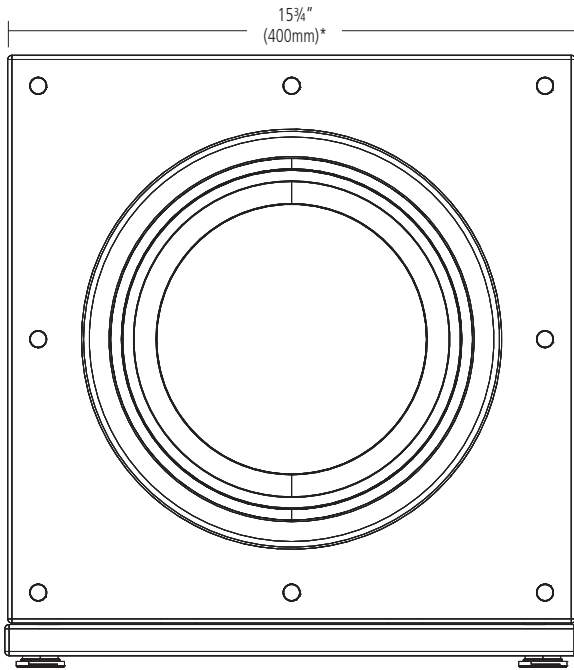
The 10", high performance shallow driver offers deep and resonant bass well beyond its modest size.

The integrated IsoAcoustics isolators manage energy and provide a high level of isolation over the entire audio spectrum. The isolators significantly reduce the transfer of resonant energy from the speaker to the supporting surface, and are aligned with the speaker's drivers to provide greater clarity and focus. IsoAcoustics innovative isolation design enhances the listener's overall experience by allowing speakers to perform at their best.

- Ultra-Slim 10" Passive In-Room Subwoofer
- Three Placement Options:
 - On-Wall with supplied mounting bracket
 - On-Floor with supplied base
 - Laid on its back for under or behind furniture
- High excursion, shallow driver with Glass fiber / PMI
- Foam sandwich cone, dual rubber surround
- Renowned PSB sonic signature, well suited for either music or home theater
- Design and final voicing engineered by Paul Barton
- IsoAcoustic isolators for improved isolation and sound clarity
- Ideal match with CS500W subwoofer amplifier
- Gross Dimensions (w/o base): 15¾ x 15¾ x 4¾" (W x H x D)
- Gross Dimensions (w/ base): 15¾ x 17 x 5¼" (W x H x D)



CustomSound CSIR SUB In-Room Subwoofer



Frequency Response

25Hz - 150Hz

Sensitivity

Anechoic Chamber 88dB
Listening Room 90dB

Impedance

Nominal 8 Ohms

Acoustic Design

Woofer (Nominal) 10" (254mm)
Glass fiber / PMI foam sandwich cone
Die Cast Basket
Rubber Surround
Balanced Drive motor structure

Recommended Power

40-200 Watts

Construction

Cabinet MDF
Grille – Grille Face Acoustic Transparent Cloth
– Frame Wood

Size (W x H x D)

Net W 15 3/4" (400mm)
Net H 17" (432mm)
Net D 5 1/4" (133mm)

Shipping Information

Net W 21 1/4" (540mm)
Net H 21 5/8" (550mm)
Net D 11" (280mm)

Weight – Net 24 4/5 lbs
– Shipping 32 1/2 lbs

Finish

Available Finishes Satin Black, Satin White

Wall Bracket

Included

Floor Stand

Included

Note: The PSB CS 500W Subwoofer Amplifier is specifically designed for the CSIR SUB and can power up to two subwoofers simultaneously.

REAL SOUND for REAL PEOPLE
www.PSBspeakers.com