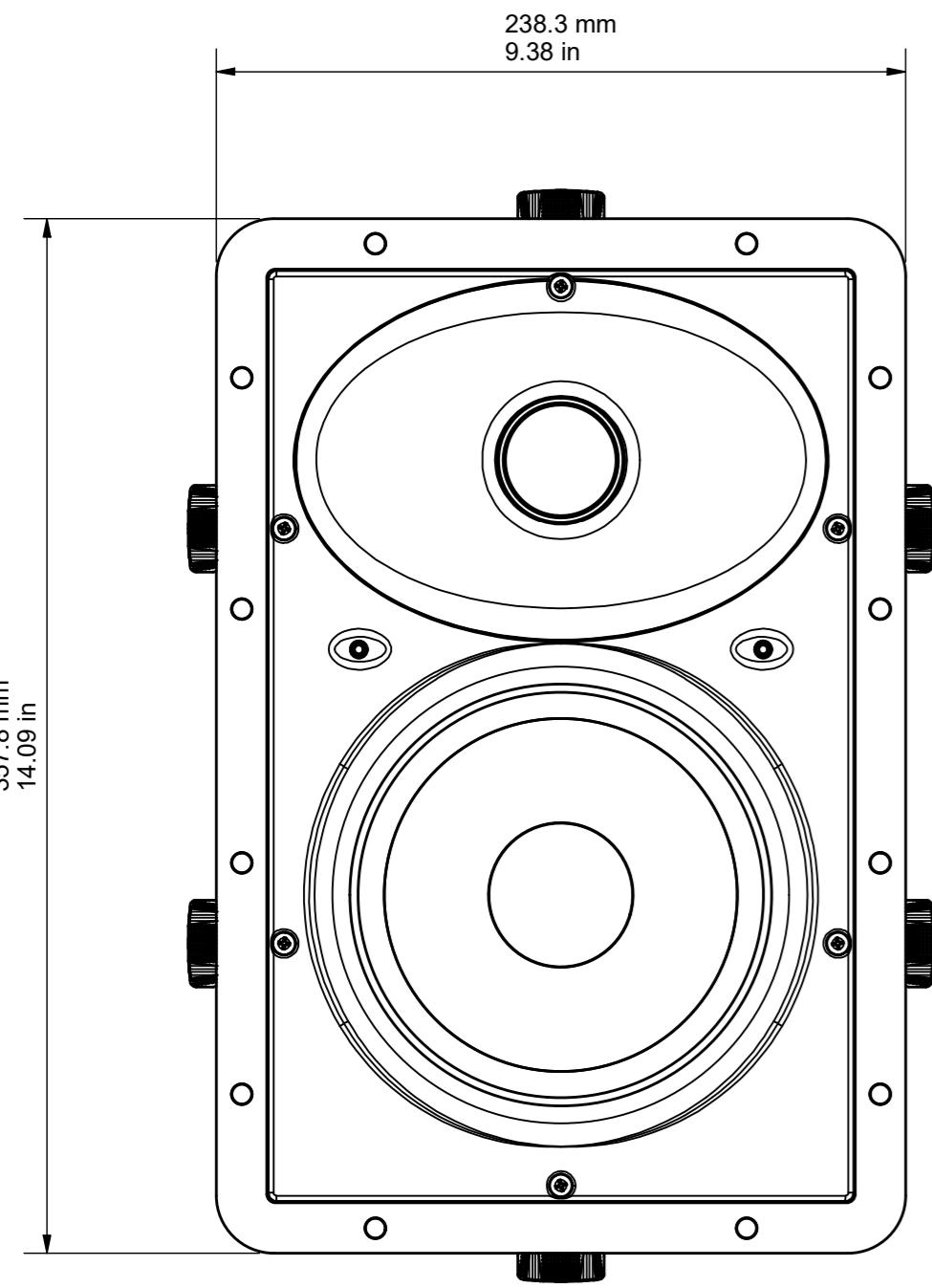
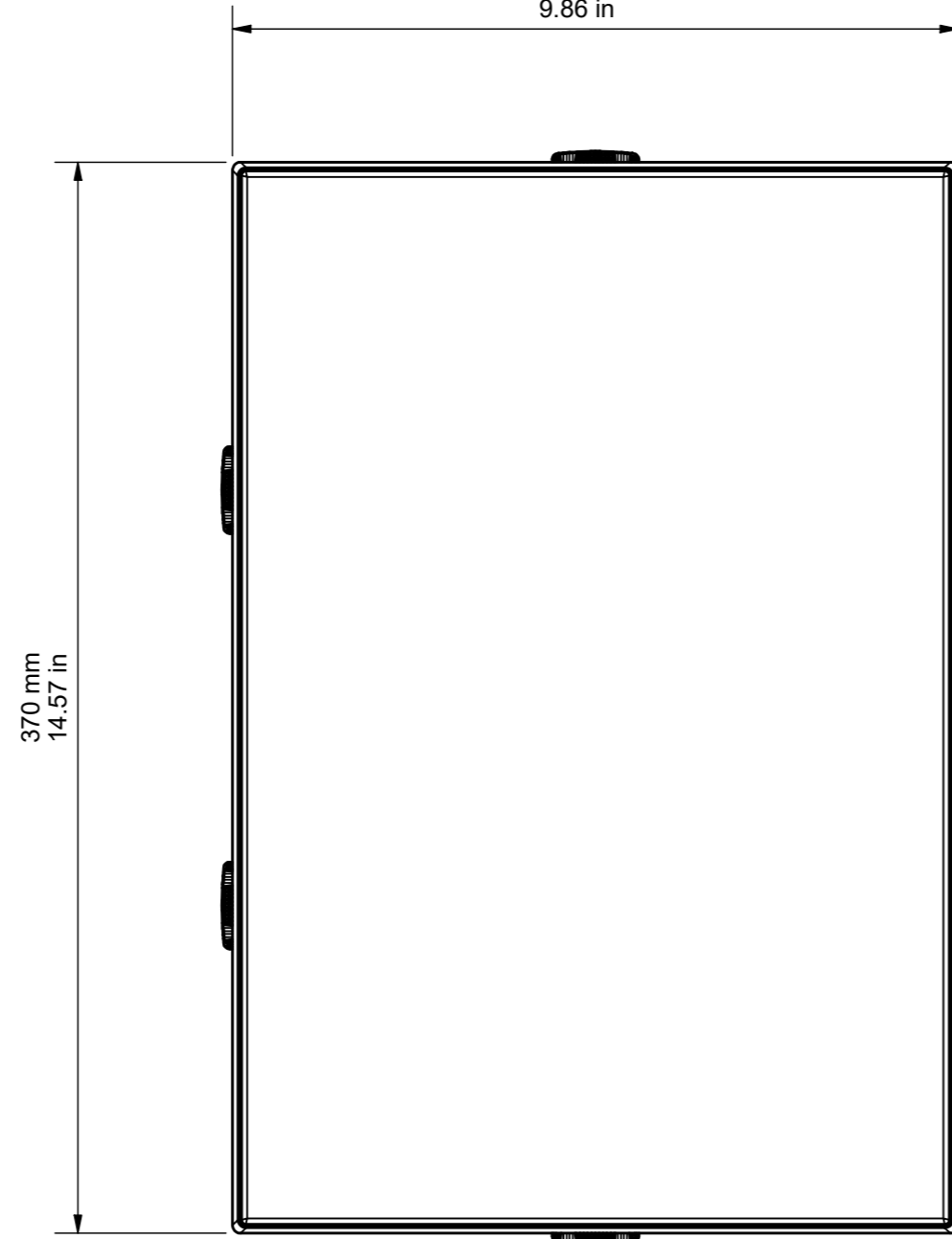


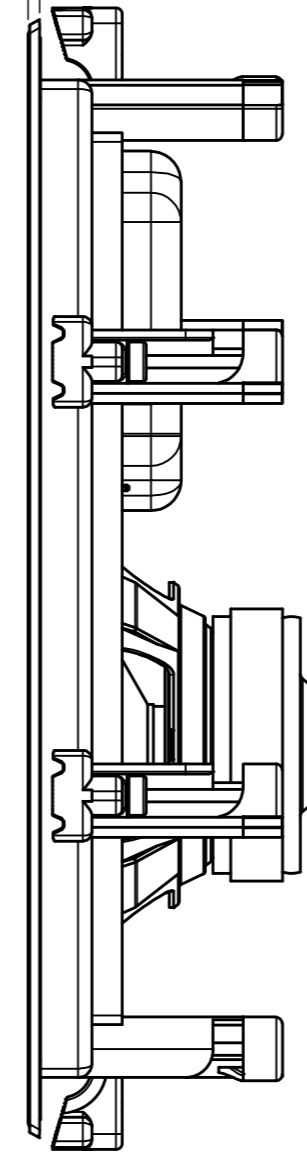
FRONT NO GRILLE



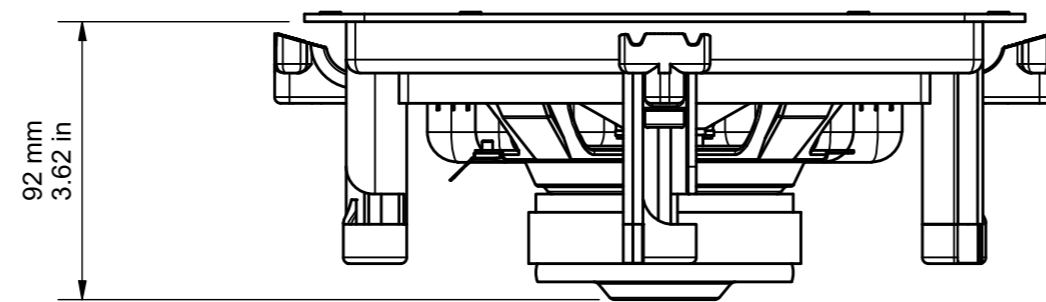
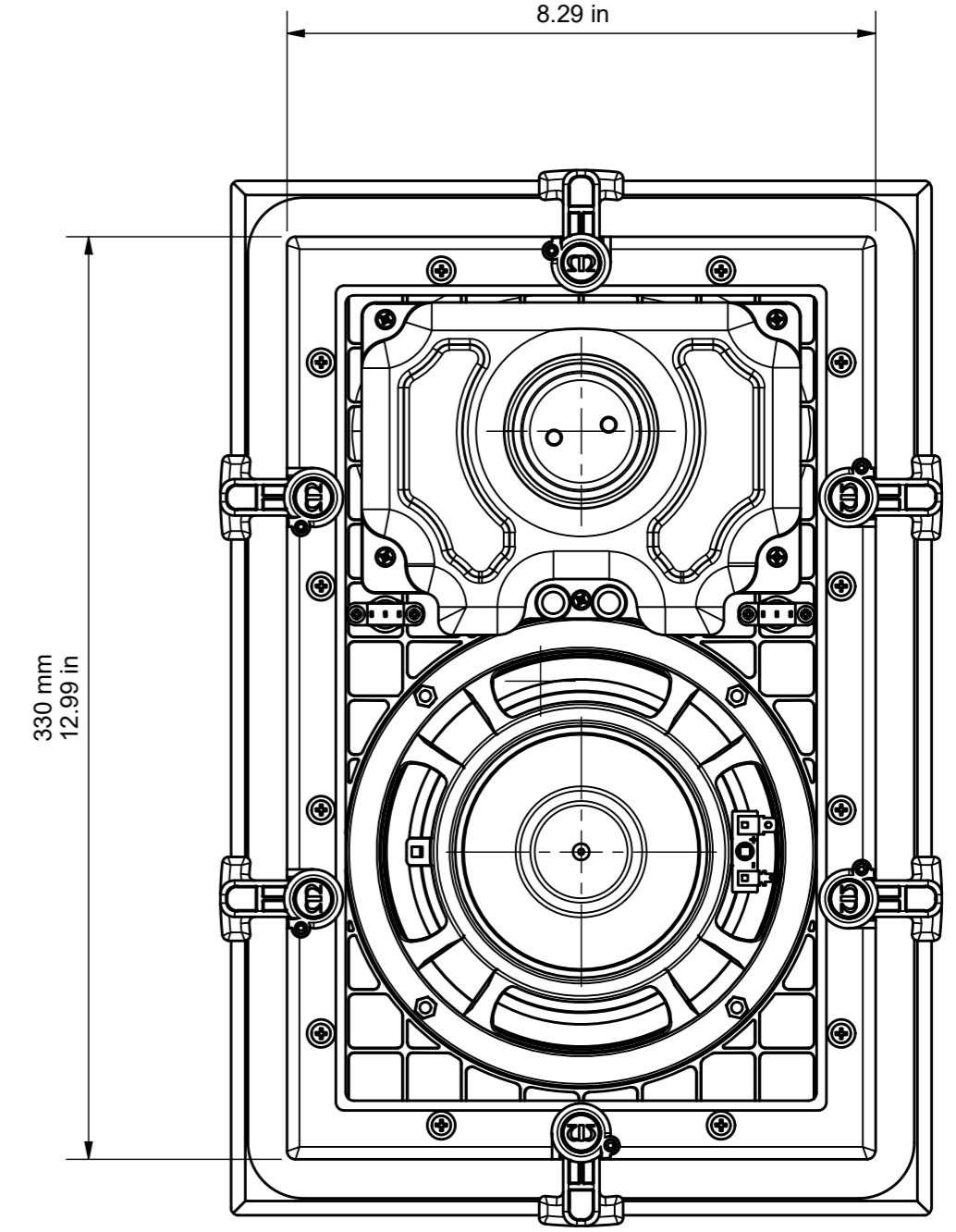
250.5 mm
9.86 in



3.8 mm
0.15 in



210.5 mm
8.29 in



SIDE NO GRILLE

ALLOW A TOLERANCE OF +/- 1MM OR 0.04 INCHES ON ALL MOUNTING DEPTHS.

W265 - DRAWING FOR REFERENCE ONLY



RANGE: CUSTOM CORE

© COPYRIGHT MONITOR AUDIO

21/07/2017

