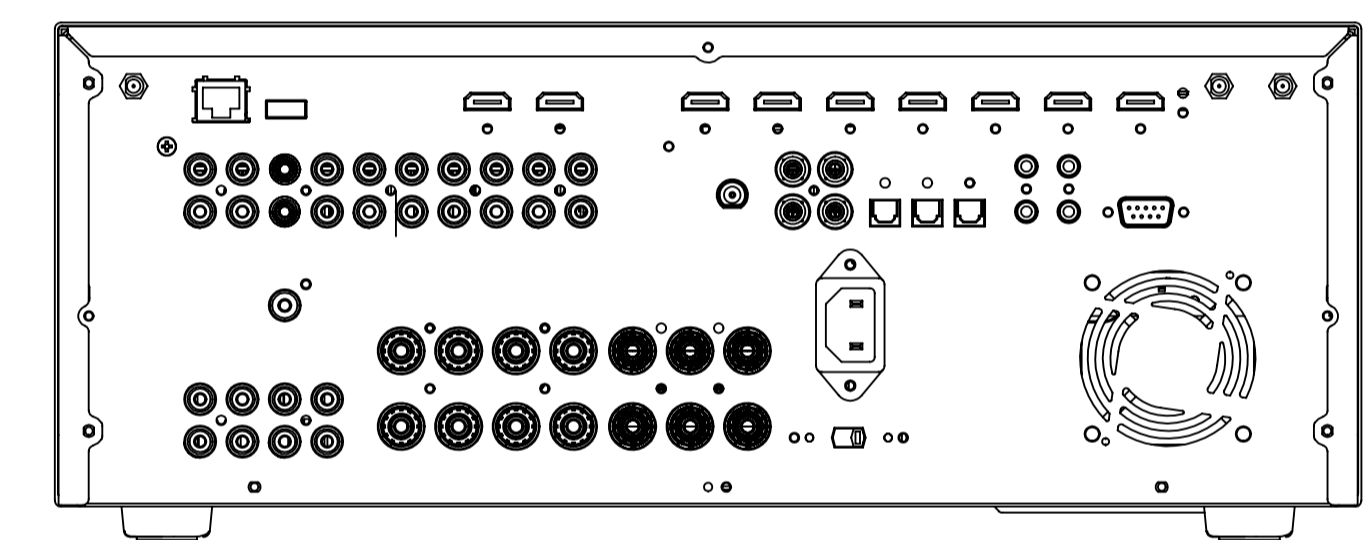
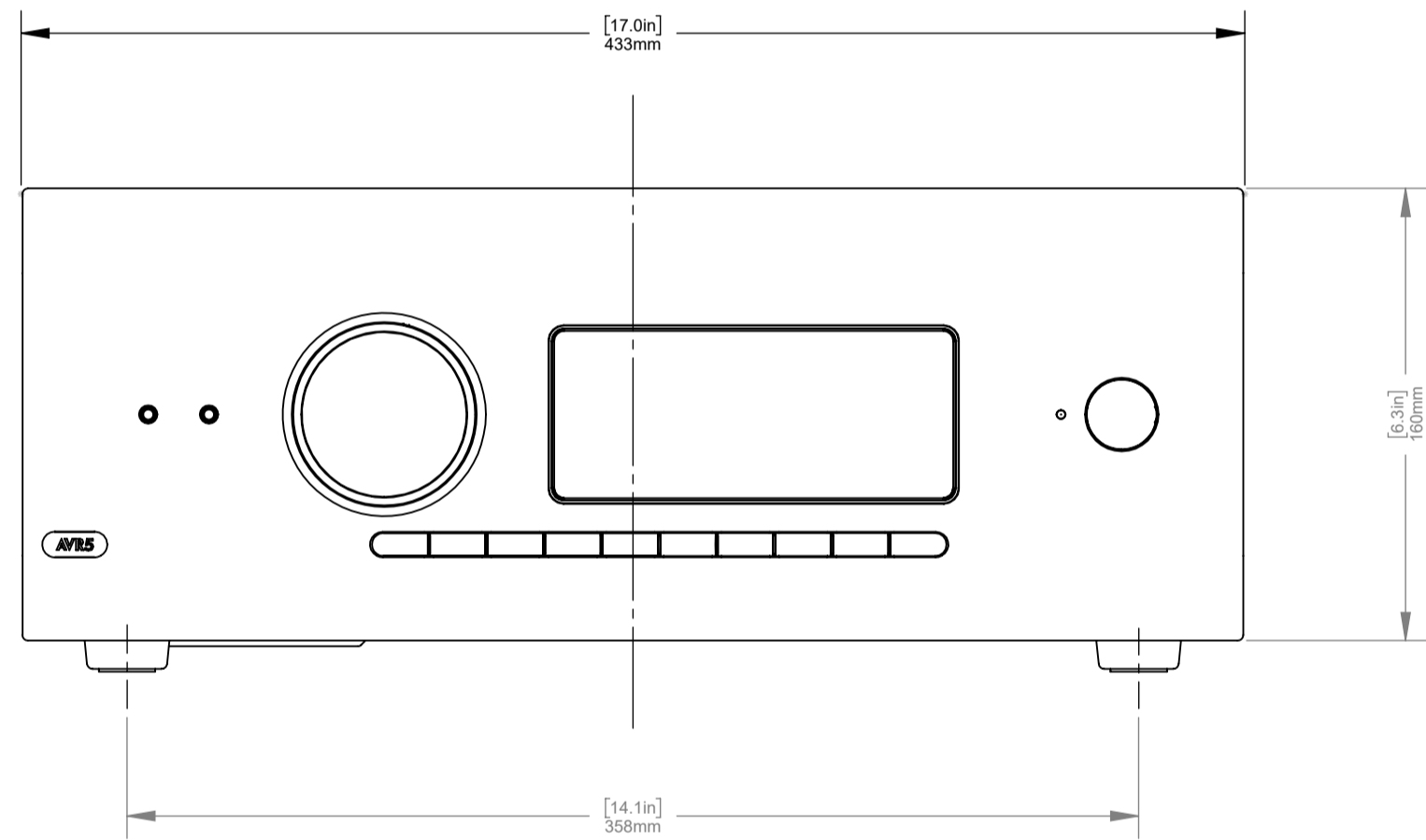
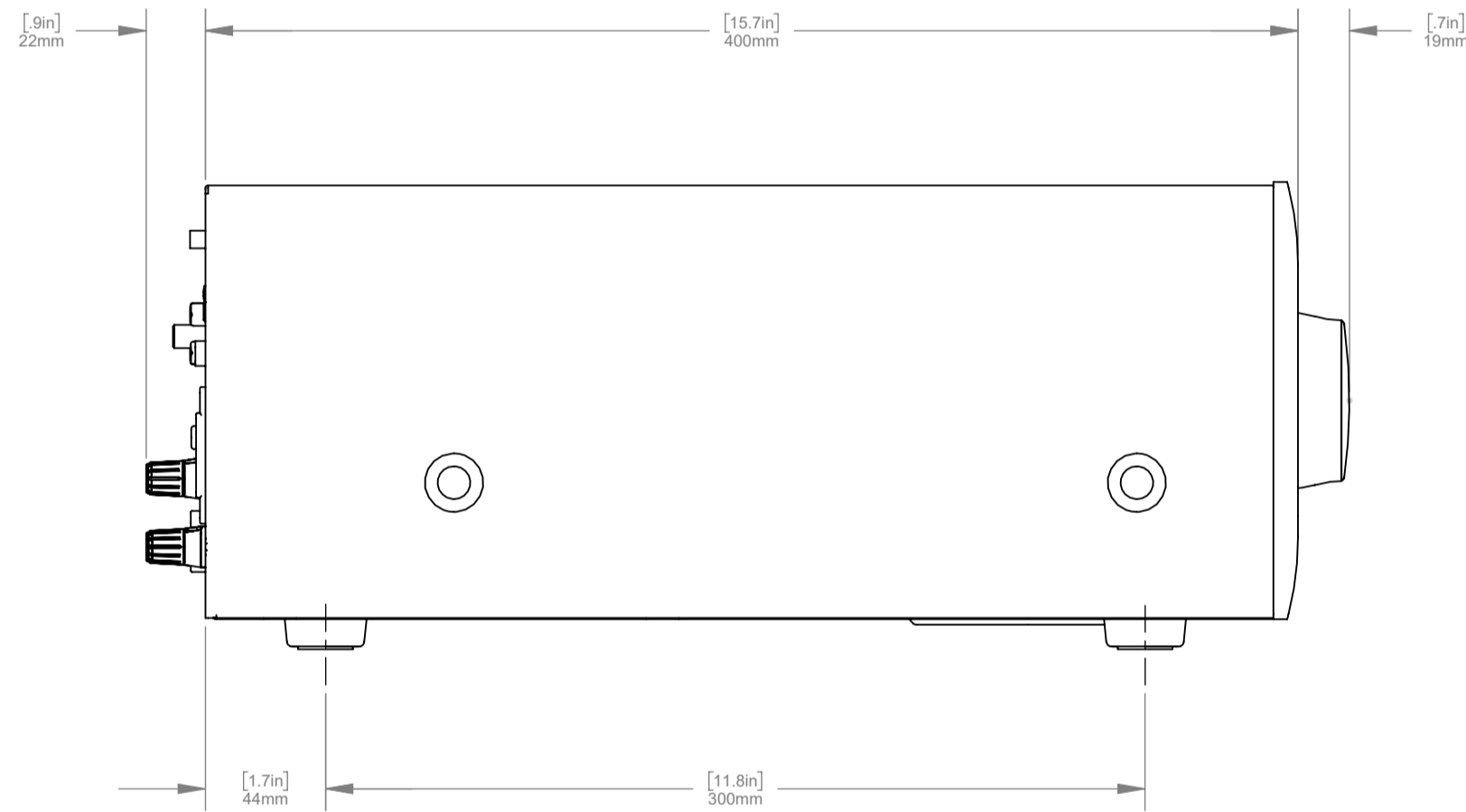
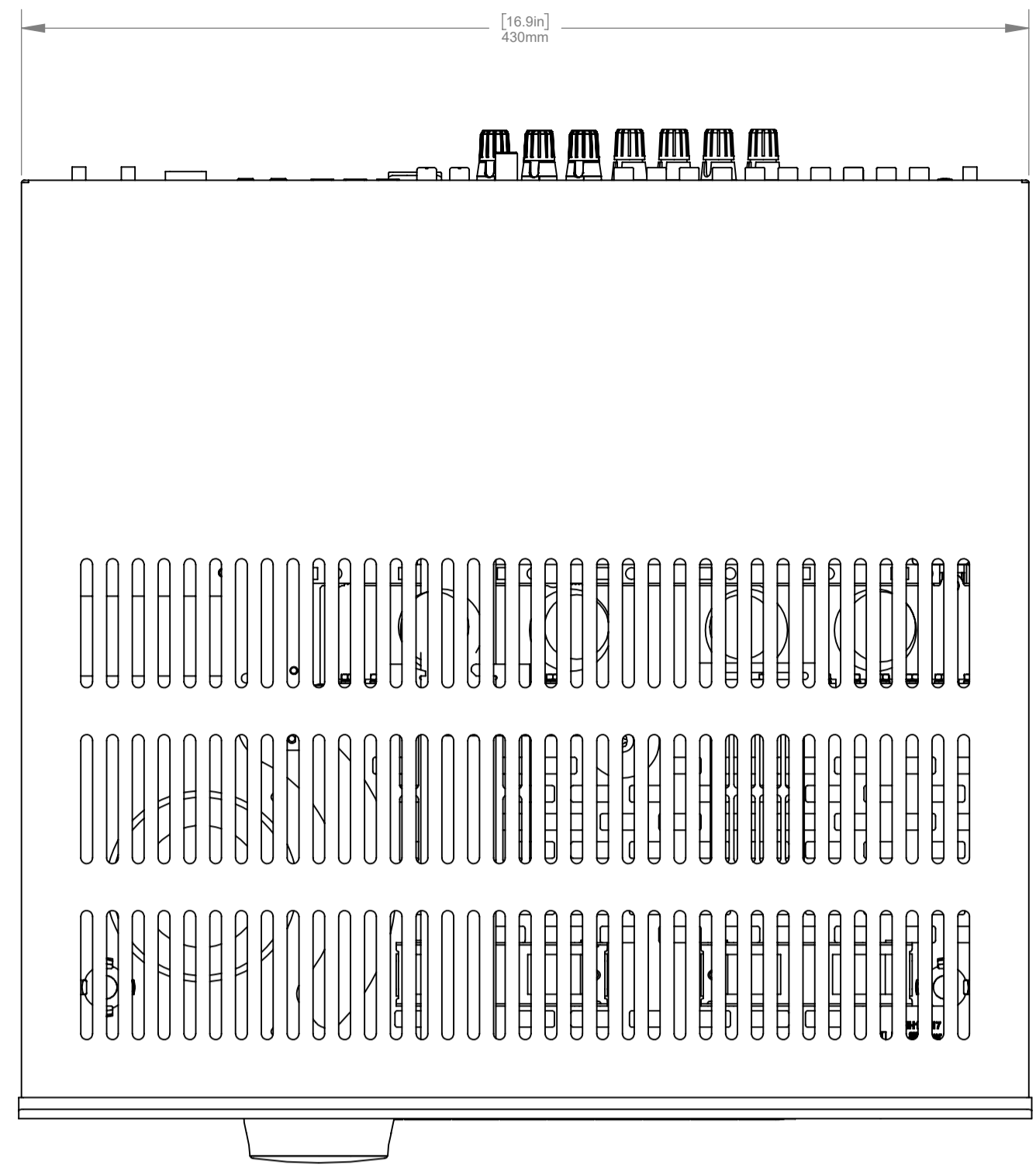
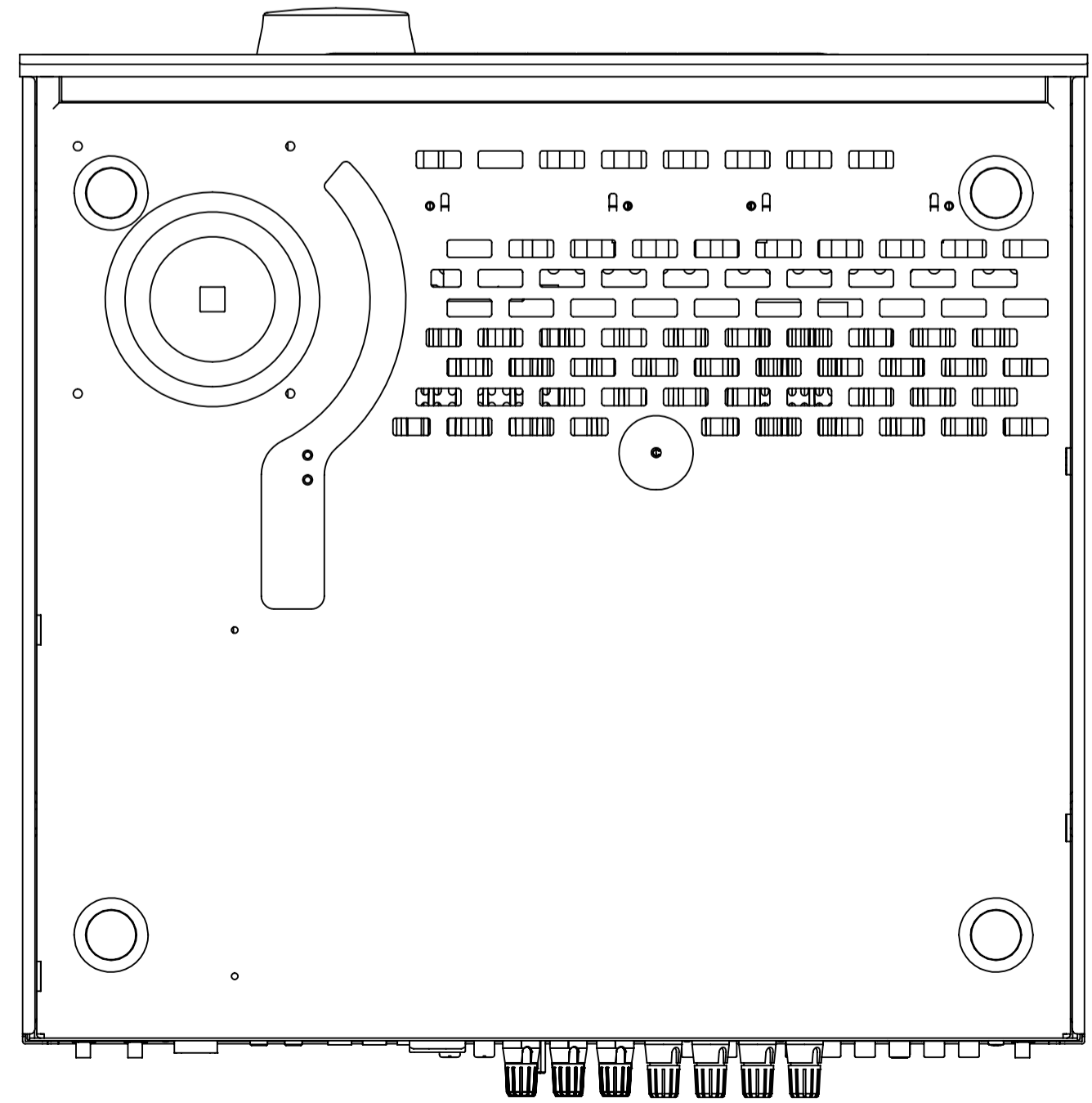


ECO NR.	DATE	CHG.	ZONE	DESCRIPTION OF CHANGE	REL.	DR.	CHK.
--	11-10-2021	--	--	FIRST ISSUE	--	MCM	NC
--	--	--	--	--	--	--	--
--	--	--	--	--	--	--	--
--	--	--	--	--	--	--	--
--	--	--	--	--	--	--	--



REAR VIEW



**NOTE:**  
ALLOW ADEQUATE CLEARANCE  
AROUND THE PRODUCT FOR  
VENTILATION & CONNECTION

<b>ARCAM</b> <small>LINEAR TOLERANCE +0.2MM UNLESS OTHERWISE STATED          ANGULAR TOLERANCE +1° UNLESS OTHERWISE STATED</small>	A & R CAMBRIDGE LTD		DRAWN BY:	MCM	
			DATE:	11-10-2021	
MATERIAL:		ALL DIMENSIONS IN MILLIMETERS UNLESS OTHERWISE STATED		CHECKED BY:	NC
PART NUMBER AND DRAWING NUMBER		ORIGINAL SCALE 1:2.5			
DRAWING TITLE		AVR5 ASSEMBLY		A1	

